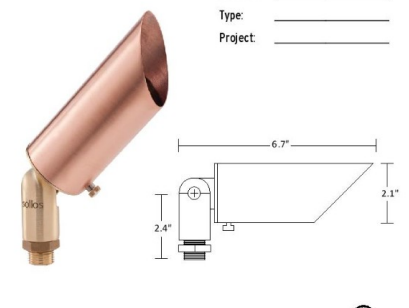


# UP ACCENT LIGHT



**BSB067**  
**Straight Bullet**  
Natural Metal



Product: \_\_\_\_\_  
Type: \_\_\_\_\_  
Project: \_\_\_\_\_

**Fixture Ordering Guide**

Product Code	Finish
<b>BSB067</b>	<b>AB - Antique Brass</b>
	<b>BR - Brass</b>
	<b>CU - Copper</b>
	<b>SS - Stainless Steel</b>

Order Lamp Separately  
Example: BSB067-AB-MR16GXN/827/LED

**Shroud:**

- Antique Brass, Brass, Copper or Stainless Steel
- Brass and Copper age gracefully as patina develops
- Antique Brass finish is natural brass with an electrostatic coating that is hand polished and rubbed for an elegant aged brass appearance
- Brass slotted thumb screw for easy, tool-free lamp replacement

**Housing:**

- Cast brass base and knuckle
- Fully adjustable swivel arm with locking teeth maintains desired angles
- Two silicone o-rings provide a low-friction, watertight seal
- Gasketed knuckle to prevent water intrusion

**Lens:**

- Shock and heat-resistant clear, tempered glass

**Socket:**

- Ceramic GUS.3 bi-pin socket
- Stainless steel retention clip ensures secure lamp seating and protects the lamp from shock and vibration
- Heat-resistant wire leads

**Lamp:**

- MR16 - 50W maximum
- ProLED® MR16 lamps offer 40,000 hour rated life, 10-15V input voltage range, multiple beam spreads (flood, narrow flood, spot and wide flood) and 2700K, 3000K and colors (amber, blue, green, red and color changing options).

**Mounting:**

- 8" black ground stake included
- 12 Volt system
- Pre-wired with 36", 18-2 lead wire
- Two King® DryConn™ waterproof connectors included

**Certifications:**

- ETL Listed to UL Standard 1838 and CSA C22.2 No. 250.7

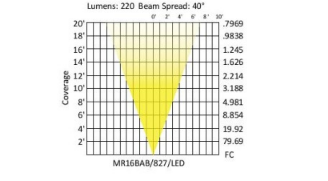
**Fasteners:**

- All fasteners are corrosion-resistant stainless steel

**Warranty:**

- Backed by a lifetime (Antique Brass, Brass and Stainless Steel) or 15-year (Copper) limited warranty to be free from defects in material and/or workmanship
- ProLED® MR16 lamps installed in Sollos fixtures per installation instructions are backed by a 20-year limited warranty

**Photometrics:**



# ILLUMICARE UP WASH LIGHT WALLY

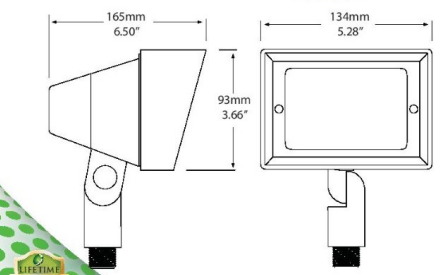
## Professional Grade Flood / Wall Wash Fixtures

Constructed of solid cast brass, Wally, Illicare's wide wall wash is ideal for illuminating walls, custom sign work and large surfaces.

With a frosted poly-carbonate lens, Wally can also be used for backlighting, silhouetting and shadowing effects in your landscape design.

Wally can enhance the structural elements of your home by washing a wall, chimney or other hardscape elements in light. In winter months, textured wall surfaces can distract from bare branches of deciduous trees and shrubbery.

Wally is perfect for illuminating brick, stucco, cobblestone and tree bark to add a dramatic effect to your overall design.



**Specifications**

Construction: Solid Cast Brass  
Dimensions: 650" x 5.28"  
Finish: Weathered Red Brass  
Weight: 3.00 lbs  
Wire: 36" 18/2 UL Rated Lead Wire  
Socket: Beryllium Copper, Pre-Greased  
Lamp: LED G4 Bipin, G5.3, MR11"  
Wattage: Maximum 20 Watts  
Lens: Clear Linear Tempered Glass  
Voltage: 12V  
Includes: 7" Brass Stake, Clear & Frosted Lenses

**Recommended LED Lamps**

LED 19MM G4 BIPin	190 Lumens: 1.8W 3000K
LED G5.3 BIPin	230 Lumens: 2.5W 3000K
LED G4 BIPin REAR	125 Lumens: 1.6W 3000K
LED G4 BIPin 2700K	190 Lumens: 1.8W 2700K
LED G5.3 BIPin 2700K	230 Lumens: 2.5W 2700K
LED G4 BIPin REAR 2700K	125 Lumens: 1.6W 2700K
LED MR11 WW 1545	250 Lumens: 4W 3000K

# TREE MOUNTED DOWN LIGHT WAC

## ACCENT 12V 5011 LANDSCAPE LIGHTING



Fixture Type:   
Catalog Number:   
Project: \_\_\_\_\_  
Location: \_\_\_\_\_

**PRODUCT DESCRIPTION**

Landscape accent luminaire. One fixture replaces all older halogen landscape accent lights

**SPECIFICATIONS**

- FEATURES**
- Adjustable and lockable beam angle
  - Integral dimmer
  - IP65 rated, Protected against high-pressure water jets
  - Includes a detachable shroud
  - Solid diecast brass or corrosion resistant aluminum
  - Factory sealed water tight fixtures
  - Mounting stake, 6' lead wire and direct burial gel filled wire nuts included
  - Maintains constant lumen output against voltage drop
  - UL 1838 Listed
  - MLV dimmable with remote MLV dimmers

- Input:** 9-15VAC (Transformer is required)  
**Power:** 1W to 18W / 2W - 23VA  
**Brightness:** 50 lm to 1160 lm  
**Beam Angle:** 10° to 60°  
**CRI:** 85  
**Rated Life:** 70,000 hours

**ORDERING NUMBER**

	Color Temp	Finish
<b>5011</b> Accent 12V	27 2700K	BK Black on Aluminum
	30 3000K	BZ Bronze on Aluminum
	40 4000K	BRB Bronze on Brass

**5011-\_\_\_\_\_**  
Example: 5011-30BBR

# INGROUND WELL LIGHT

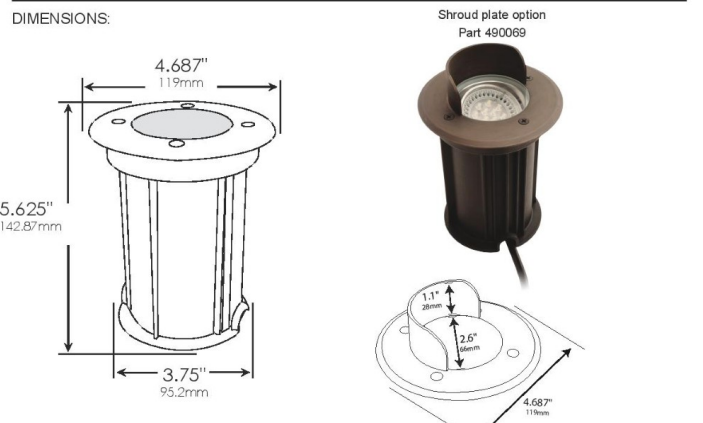


## MODEL: 490063 "Bentley" Adjustable Gimbal Well Light Fixture

**SPECIFICATIONS**

**HOUSING:** Cast brass faceplate with weathered brass finish. Composite body. Aluminum gimbal.  
**SOCKET/LAMP HOLDER:** One ceramic bi-pin socket with stainless steel retaining springs, on an adjustable gimbal.  
**LENS:** Clear flat tempered glass.  
**LAMP TYPE:** 12V MR16, LED recommended. 35W maximum. See Dauer lamp ordering information on back page.  
**MOUNTING:** Installs in-grade.  
**WRING:** Pre-wired with 5' pigtail of 18/2 cable.  
**WARRANTY:** Lifetime.

The Bentley well light has an easily adjustable gimbal mechanism that allows precise aiming of the lamp for angled uplighting. Cast brass faceplate with a gasketed heavy-duty composite body. Perfect for spotlighting signs and statuary, as well as for dramatic effects of tree shadows projected against walls.



# POST MOUNTED SPREAD LIGHT ACE DOWN

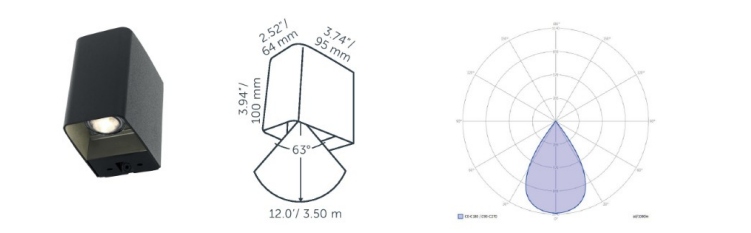
**GENERAL**  
ACE DOWN  
Article number: 10301800  
Category: wall  
Light source: LED  
Color changing: No  
Warranty: 5 years

**AVAILABLE PRODUCT COLORS**  
■ Corten: 10301860 ■ Dark: 10301850  
□ White: 10301855

**AVAILABLE ACCESSORIES**  
LENS CLEAR, LENS DIFFUSE, SHUTTER 1

**PROTECTION RATING**  
IP: S5

Distance	Light circle 0-180°	Light circle 90-270°	Illuminance
0m	0m	0m	0lux
100	328	123	4.02
200	656	246	8.04
300	984	369	12.06
400	1312	492	16.08
500	1640	615	20.11
600	1969	738	24.13
100	328	123	4.02



# BOLLARD LIGHT WAC

## GATE LED BOLLARD/PATH 6651 LANDSCAPE LIGHTING



Fixture Type:   
Catalog Number:   
Project: \_\_\_\_\_  
Location: \_\_\_\_\_

**PRODUCT DESCRIPTION**

Sleek linear design blends seamlessly into pathways while providing soft, even illumination

**SPECIFICATIONS**

- FEATURES**
- IP66 rated, Protected against powerful water jets
  - Factory sealed water tight fixtures
  - Corrosion resistant aluminum alloy
  - Recommended spacing for installation: Residential: 7 to 9ft; Commercial: 5 to 7ft
  - Mounting stake, 6 foot lead wire, and detachable back plate included
  - UL & cUL 1838 Listed

- Input:** 9-15VAC (Transformer is required)  
**Power:** 7W / 7.5VA  
**Brightness:** Up to 115 lm  
**CRI:** 90  
**Rated Life:** 60,000 hours



**ORDERING NUMBER**

	Color Temp	Finish
<b>6651</b> Canopy	27 2700K Warm White	BZ Bronze on Aluminum
	30 3000K Pure White	BK Black on Aluminum

**6651-\_\_\_\_\_BK**  
Example: 6651-30BK