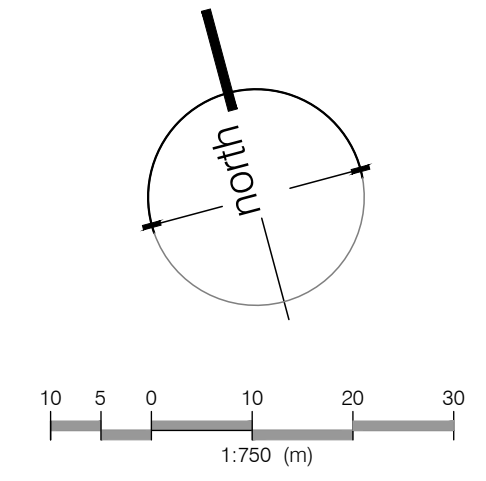


PRECEDENTS & SITE FURNISHINGS



project  
**VineRidge - Overall Concept**  
 Nery Avenue and Inkerman Avenue  
 Picton

May 6, 2022

**adesso design inc.**  
 landscape architecture

218 Locke Street South, 2nd Floor  
 Hamilton, ON L8P 4B4  
 t. 905.526.8876  
 www.adessodesigninc.ca

All rights reserved. 2022. All rights reserved. Project No. 2021-05-001. All rights reserved. Project No. 2021-05-001. All rights reserved. Project No. 2021-05-001. All rights reserved. Project No. 2021-05-001.