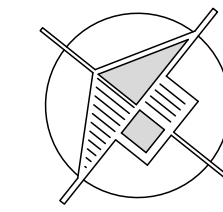


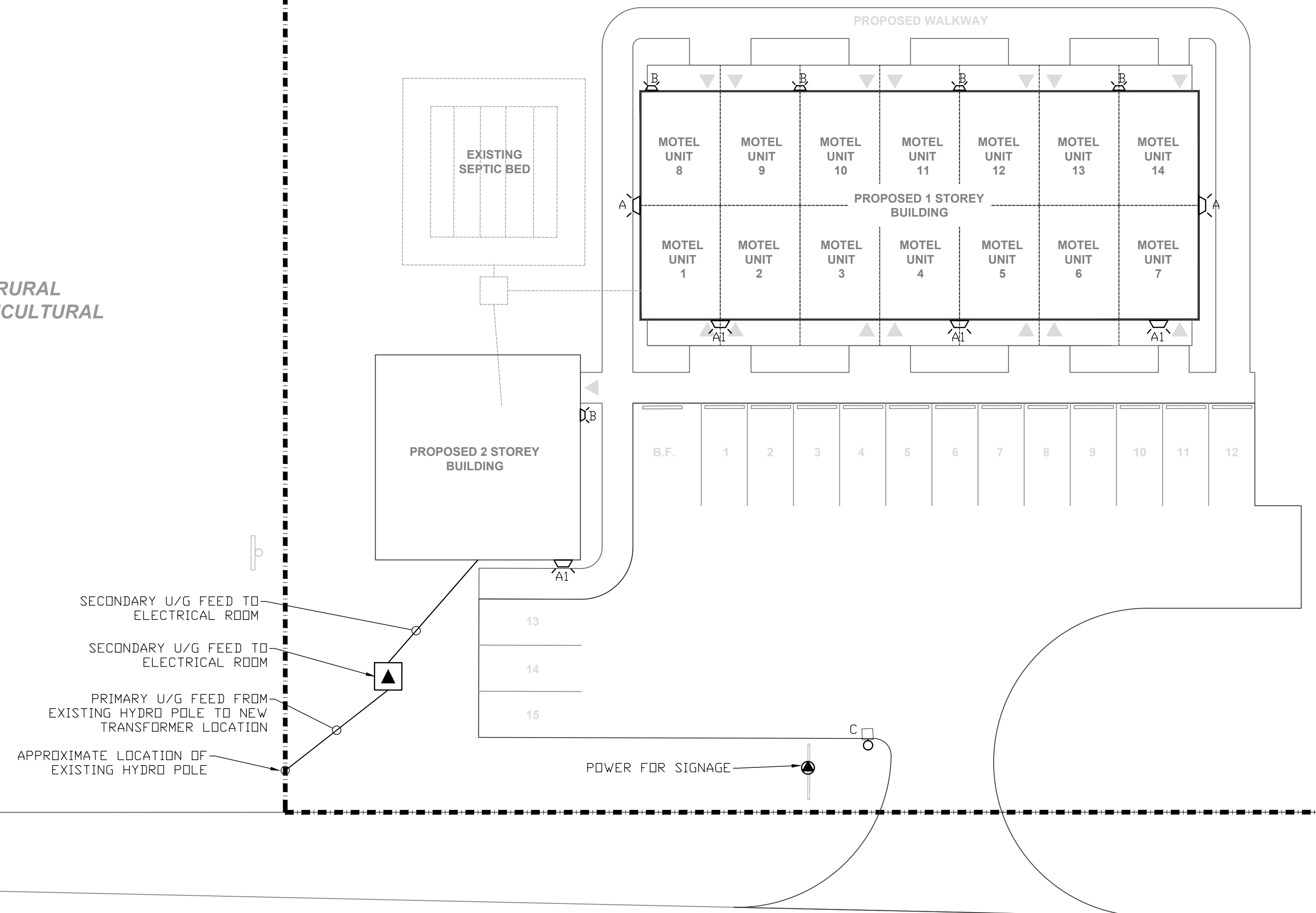
LEGEND	
	PRIMARY FEED
	SECONDARY FEED
	PAD MOUNTED TRANSFORMER

RURAL AGRICULTURAL



RURAL AGRICULTURAL

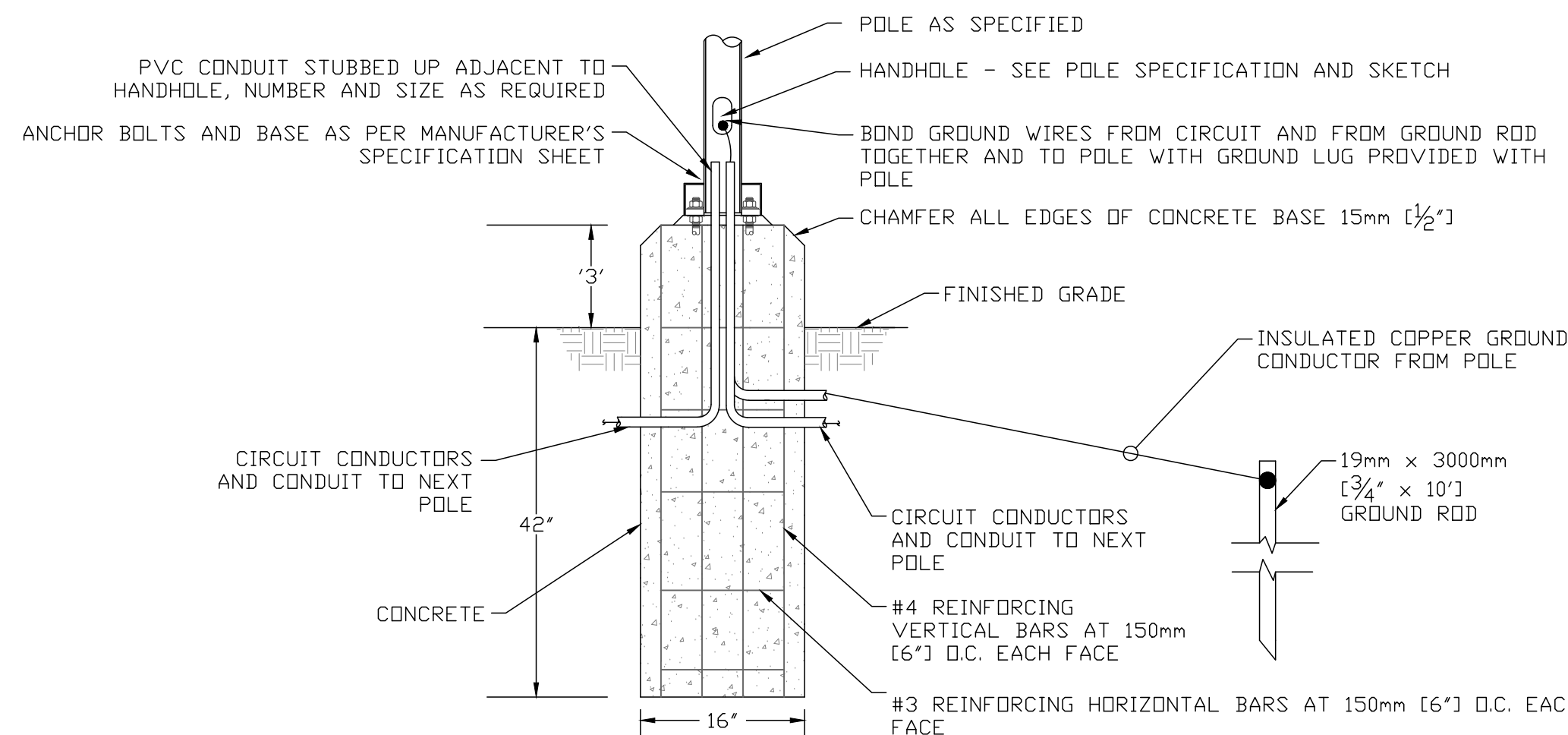
RURAL AGRICULTURAL



1 ELECTRICAL SITE PLAN  
E1 SCALE: 1:200

LIGHTING SCHEDULE

SYMBOL	MODEL NUMBER	MANUFACTURER	DESCRIPTION
A	GAW-SA1A-740-U-SL2-BZ-AHD145-BPC	EATON-INVUE	WALL MOUNTED LED LUMINAIRE, 600mA DRIVE CURRENT, 1 LIGHT SQUARE (34W, 4883 LUMENS), 120V, TYPE II DISTRIBUTION WITH SPILL CONTROL, BRONZE IN COLOUR, 4000K, COMPLETE WITH AFTER HOURS DIM, 5 HOURS, PHOTOCONTROL
A1	GAW-SA1A-740-T4FT-WM-BZ-AHD145-BPC	EATON-INVUE	WALL MOUNTED LED LUMINAIRE, 600mA DRIVE CURRENT, 1 LIGHT SQUARE (34W, 5008 LUMENS), 120V, TYPE IV FORWARD THROW DISTRIBUTION WITH SPILL CONTROL, BRONZE IN COLOUR, 4000K, COMPLETE WITH AFTER HOURS DIM, 5 HOURS, PHOTOCONTROL
C	XTOR1B-W-PC1	COOPER LIGHTING - LUMARK	WALL MOUNTED LED FIXTURE, 1396 LUMENS, 12W, 120V, 4000K, FULL CUTOFF & DARK SKY COMPLIANT, BRONZE IN COLOUR C/W BUTTON TYPE PHOTOCONTROL



- NOTES
1. CONCRETE IN POLE BASES SHALL BE VIBRATED.
  2. REINFORCING RODS SHALL BE COVERED BY A MINIMUM OF 3" CONCRETE.
  4. A MINIMUM OF TWO CONDUITS SHALL BE INSTALLED FOR EACH CONCRETE BASE, UNLESS OTHERWISE SHOWN.
  5. CONTRACTOR TO OBTAIN MANUFACTURER DETAILS FOR POLE AND CONFIRM POLE BASE PLATE OPENING DIAMETER, AND BOLT CIRCLE DIAMETER AND BASE DIMENSIONS SIZE, PRIOR TO INSTALLING CONDUIT SLEEVES.
  7. BASE SHALL NOT BE BLOCKED OR GROUTED TO ENSURE PROPER DRAINAGE.

4 POLE BASE DETAIL  
E1 SCALE: N.T.S.



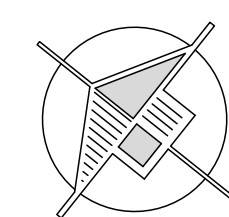
2 KEY PLAN  
E1 SCALE: 1:10000

NOT FOR CONSTRUCTION

Rev.	Date	Description	By	App.
-	-	-	-	-
P1	23/02/09	RE-ISSUED FOR REVIEW	PGB	-
P0	23/01/23	ISSUED FOR REVIEW	PGB	-

**BERTHELOT ENGINEERING LTD**  
2193 Lynhaven Rd., Peterborough, ON. K9K 1W8  
Tel: (705) 775-1517  
Email: pberthelot@bertheloteng.com

DWN.	T. ST. JEAN
CHK.	P. BERTHELOT
DSN.	PGB/TMS
SCALE:	AS NOTED

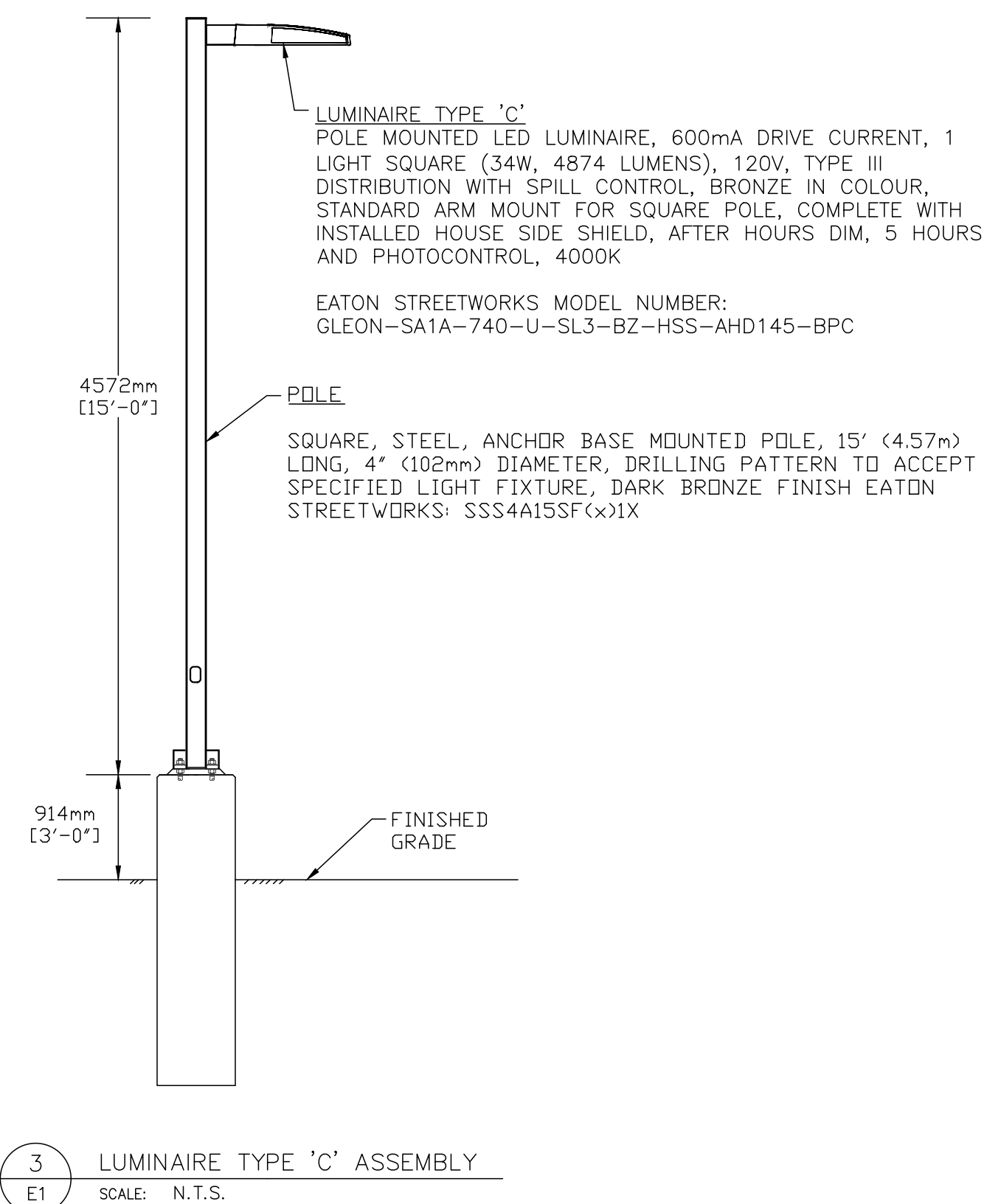


PRELIMINARY  
Feb. 9, 23

PROJECT **OUTERBANKS MOTEL FRASER YOUNG**  
Part of Lot 4, Concession of East Lake Township of Athol, Prince Edward County, Ontario

TITLE **ELECTRICAL SITE LAYOUT PLAN**

FILE No. 562 DWG. No. **E1**



3 LUMINAIRE TYPE 'C' ASSEMBLY  
E1 SCALE: N.T.S.