

ADJACENT PROPERTY
N.I.C.

ADJACENT PROPERTY
N.I.C.

CALCULATION SUMMARY						
LABEL	CALCTYPE	UNITS	AVG	MAX	MIN	AVG/MIN
2 Story Building 1_1_Side_1	ILLUMINANCE	Lux	1.09	3.6	0.5	2.18
2 Story Building 1_1_Side_11	ILLUMINANCE	Lux	0.05	0.3	0.0	N.A.
2 Story Building 1_1_Side_13	ILLUMINANCE	Lux	0.06	0.3	0.0	N.A.
2 Story Building 1_1_Side_15	ILLUMINANCE	Lux	0.03	0.1	0.0	N.A.
2 Story Building 1_1_Side_17	ILLUMINANCE	Lux	0.31	1.8	0.0	N.A.
2 Story Building 1_1_Side_19	ILLUMINANCE	Lux	0.13	0.7	0.0	N.A.
2 Story Building 1_1_Side_21	ILLUMINANCE	Lux	0.03	0.1	0.0	N.A.
2 Story Building 1_1_Side_23	ILLUMINANCE	Lux	1.10	6.3	0.0	N.A.
2 Story Building 1_1_Side_3	ILLUMINANCE	Lux	0.01	0.1	0.0	N.A.
2 Story Building 1_1_Side_5	ILLUMINANCE	Lux	0.01	0.1	0.0	N.A.
2 Story Building 1_1_Side_67	ILLUMINANCE	Lux	0.31	1.9	0.0	N.A.
2 Story Building 1_1_Side_69	ILLUMINANCE	Lux	0.10	0.4	0.0	N.A.
2 Story Building 1_1_Side_7	ILLUMINANCE	Lux	0.53	2.6	0.0	N.A.
2 Story Building 1_1_Side_9	ILLUMINANCE	Lux	0.00	0.0	0.0	N.A.
Drive and Park Area_Top	ILLUMINANCE	Lux	11.58	184.3	0.0	N.A.
East Property Line	ILLUMINANCE	Lux	0.00	0.0	0.0	N.A.
points from 9M setback to sidewalk	ILLUMINANCE	Lux	5.43	47.9	0.0	N.A.
Sidewalk	ILLUMINANCE	Lux	17.11	332.6	0.2	85.55
Sidewalk 3_Top	ILLUMINANCE	Lux	10.15	20.6	3.0	3.38
South Property Line	ILLUMINANCE	Lux	0.00	0.0	0.0	N.A.
Sidewalk 3	ILLUMINANCE	Lux	11.51	25.7	1.8	6.39

LUMINAIRE SCHEDULE							
SYMBOL	QTY	TAG	MANUFACTURER	CAT#	ARRANGEMENT	LUMENS	WATTS
○	8	B1	SELUX Corporation	IBL-X-2090-30-XX-UNV	Single	1083	14.12
□	1	P2-2HS	Selux Corporation	U4-R2-XX-XX-5G105-30-XX-UNV-HS	Single	3334	58
□	1	P4	Selux Corporation	U4-R4-XX-XX-5G105-30-XX-UNV	Single	5024	58
□	8	P4COHS	SELUX Corporation	U4-R4-XX-XX-5G350-30-XX-UNV-CO-SHIELD	Single	10928	19.7443
□	4	P4HSS	SELUX Corporation	U4-R4-XX-XX-5G350-30-XX-UNV-HS-SHIELD(No Glass)	Single	1160	19.7579
□	4	P5	Selux Corporation	U4-R55-XX-XX-5G105-30-XX-UNV	Single	5225	58
□	2	R2HHS	SELUX Corporation	U4-R2-XX-XX-5G350-30-XX-UNV-HS-SHIELD(No Glass)	Single	1162	19.7413
□	1	W4	Selux Corporation	U4-R4-XX-XX-5G105-30-XX-UNV	Single	5024	58



NO	REVISIONS	DATE
2	RE-ISSUED FOR SITE PLAN APPROVAL	15.11.2023
1	REVISED TO SUIT ARCH. CHANGES	18.10.2023
0	ISSUED FOR SITE PLAN APPROVAL	06.09.2023

DRAWINGS ARE NOT TO BE SCALED. CONTRACTOR MUST CHECK AND VERIFY ALL DIMENSIONS AND CONDITIONS ON THE PROJECT AND MUST REPORT ANY DISCREPANCIES TO THE ARCHITECT & ENGINEER BEFORE PROCEEDING WITH THE WORK. THE USE OF THIS DRAWING OR PART THEREOF IS FORBIDDEN WITHOUT THE WRITTEN APPROVAL OF THE ENGINEER.

THE CONTRACTOR AND SUB-TRADES ARE RESPONSIBLE TO CONTACT THE ENGINEER IN ADVANCE IN ORDER TO SCHEDULE REQUIRED SITE VISITS AND PROVIDE INSPECTION REPORTS AS REQUIRED IN ACCORDANCE WITH THE GENERAL COMMITMENT & REVIEW PROCESS BY ARCHITECTS AND ENGINEERS.

ENGINEERING CONSULTANTS:

RM
ENGINEERING

499 BROOKSIDE DRIVE, OAKVILLE, ONTARIO, L6K 1R4
TEL: (416) 726-1648 | (905) 617-4806
E-MAIL: contact@rm-eng.ca | WEB: rm-eng.ca

FIELDS OF WELLINGTON

BLOCK 55
WELLINGTON, ON

DRAWING TITLE:
ELECTRICAL SITE PLAN

SCALE: 1:250	PROJECT: 22022
DATE: SEPT. 2023	DRAWING E1
DRAWN JM	CHECKED JM

Date: _____ Customer: _____
 Project: _____
 Type: _____ Qty: _____



Inula Bollard LED



Order Code: IBL _____

IBL	Series	IBL Inula Bollard LED							
	Height	1.5 1.5' (consult factory)	2 2' (consult factory)	2.5 2.5'	3 3'	3.5 3.5'	4 4'		
	Light Engine	1Q¹ 7.6W/577lm	2Q90 14.1W/1156lm	2Q90MU 14.1W/854lm (max uniformity)	2Q180 14.1W/1156lm	3Q 20.5W/1689lm	4QS 27.2W/2246lm	4QD 27.2W/2246lm	*Based on 5000K CCT. ¹ Not available with EM.
	CCT	AM² Amber	27^{2*} 2700K	30² 3000K	35^{2*} 3500K	40 4000K	50^{2*} 5000K		² IDA Approved. *Consult factory
	Finish	WH White	BK Black	BL Semi-Matte Black	BZ Bronze	SV Silver	SP Specify Premium Color		
	Voltage	UNV 120-277V	120 120V	208 208V	240 240V	277 240V	347³ 347V	480³ 480V	*50 or 60 Hertz. ³ Requires step down transformer, 60 Hertz Only.
	Options	DM Dimming (0-10V)	HL30^{6,9,11} Hi-Lo Switching 100-30%	REC^{4,5,15} GFCI Receptacle with weather-proof cover	REC2^{4,5,15} GFCI Receptacle with padlockable in-use cover	REC3^{4,5,15} USB & Duplex Receptacle with weather-proof cover	REC4^{4,5,15} USB & Duplex Receptacle with weatherproof padlockable in-use cover	EM^{7,8,12} Emergency Battery Pack -20C	⁴ 120V Only. ⁵ Not available in 2.5' height. ⁶ Only available with 120V,240V or 277V. ⁷ Not available with 1Q. ⁸ 120V or 277V only. ⁹ Not available with DM Option. ¹⁰ Not available at 480V. ¹¹ Not available with EM option. ¹² Not available with PC or LP option. ¹³ Not available with HL30 or HP options. ¹⁴ For 1Q, 2Qxx and 3Q please consult factory. ¹⁵ See page 6 for details.
		PC^{10,11} Photocell	LP^{11,13,14} Lower Power Version Decreases Light Output by 60%	HP¹¹ High Power Version Increases Light Output by 100%					

Product Modifications

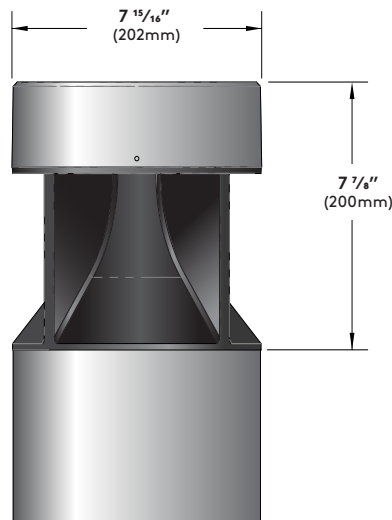
Please list modification requirements for review by factory:

Approvals

Date:



IBL



Net Weight (35lbs)

Specifications

Fixture Housing - Die cast low-copper and low-iron aluminum fixture body provides corrosion resistance in marine environments.

Gasketing - (not shown) Continuous gaskets provide weather-proofing, dust, and insect control between castings.

LED Light Engine - (not shown) High efficiency LED light engine equipped with brand-name LEDs, available in 2700K, 3000K, 4000K, 5000K CCT tolerance within a 3-step MacAdams ellipse, and Amber CCT. Suitable temperature range (-40C to +45C).

Optics - (not shown) Proprietary vandal and UV resistant acrylic optic provides optimal light blending between quadrants.

Surge Protector - (not shown) Designed to protect luminaire from electrical surge (20kA).

Hi-Lo Switching Option - (not shown) Controlled switching between 100% and 30% power. See wiring diagrams for additional details.

Low Power Option - (not shown) 60% decrease in Lumen output in same physical package.

High Power Option - (not shown) 100% increase in Lumen output in same physical package.

Light Chamber - Castings around Light Engine are painted with special Matte Black light absorbing powder coat paint. Meets International Dark-Sky Association (IDA) requirements B0, U0, and G0 BUG ratings at 2700K and 3000K CCT.

Low-Temperature Emergency Battery Pack Option - (not shown) Provide 90 minutes of constant-power egress lighting when external power is lost. -20°C to +55°C ambient temperature operation.

Exterior Luminaire Finish - Selux utilizes a high quality Polyester Powder Coating. All Selux luminaires and poles are finished in our Tiger Drylac certified facility and undergo a five stage intensive pretreatment process where product is thoroughly cleaned, phosphated and sealed. Selux powder coated products provide excellent salt and humidity resistance as well as ultraviolet resistance for color retention. All products are tested in accordance with test specifications for coatings from ASTM and PCI.

Standard exterior colors are White (WH), Black (BK), Semi-Matte Black (BL), Bronze (BZ), and Silver (SV). Selux premium colors (SP) are available, please specify from your Selux color selection guide. ®

5 Year Limited LED Luminaire Warranty - Selux offers a 5 Year Limited Warranty to the original purchaser that the Inula Bollard LED luminaire shall be free from defects in material and workmanship for up to five (5) years from date of shipment. This limited warranty covers the LED driver and LED array when installed and operated according to Selux instructions. For details, see "Selux Terms and Condition of Sale."

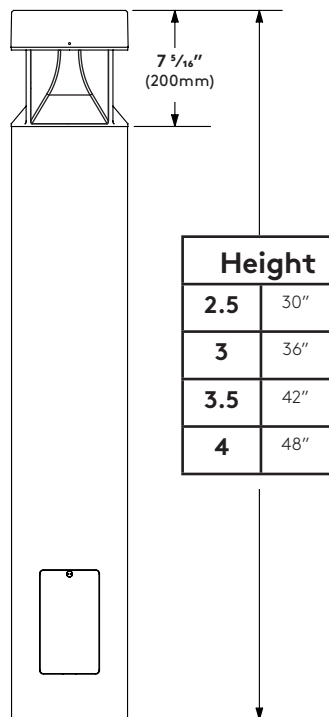
Listings and Ratings: Tested to NRTL Wet Location and IESNA LM-79-08 standards. LED tested to LM-80 standards.

Luminaire tested to IK10 standard, IDA Approved and Lighting Facts Certified.

Luminaire and LED tested at 25°C (77°F) ambient temperature.

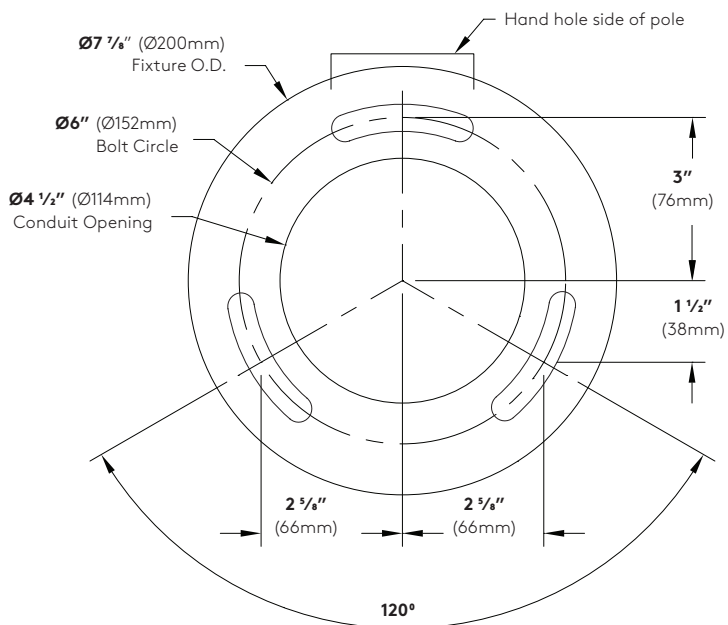
Visit selux.us for our LED End of Life recycling policy.

Profiles IBL-XX-4QD



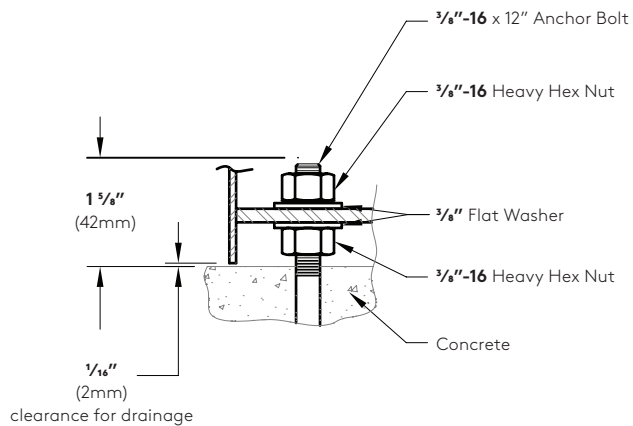
Mounting Information

- Notes:
1. Bollard orientation is critical, rod and hand hole locations are critical.
 2. Locate single bolt and hand hole location.
 3. Adequate drainage must be provided in concrete foundation.
 4. Conduit should be stubbed up above the concrete footing.



Bolt Circle Detail (Not to Scale)

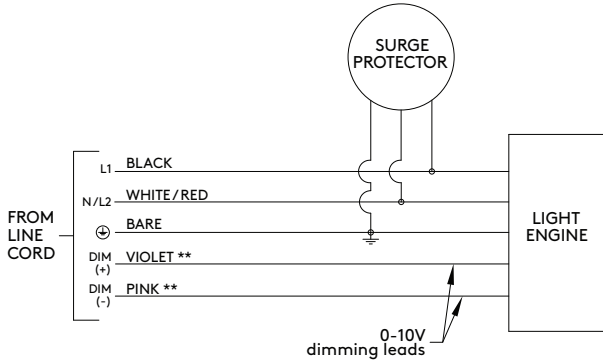
Use caution when setting anchor bolts. Bolts must be vertically straight and centered on dimensions shown.



Wiring Diagrams

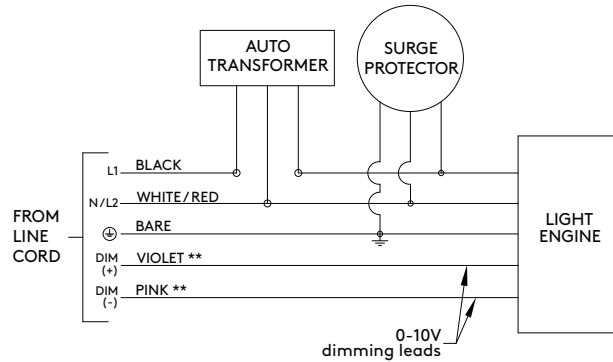
Standard Wiring (120V-277V)

**When dimming is not required cap dimming wires.



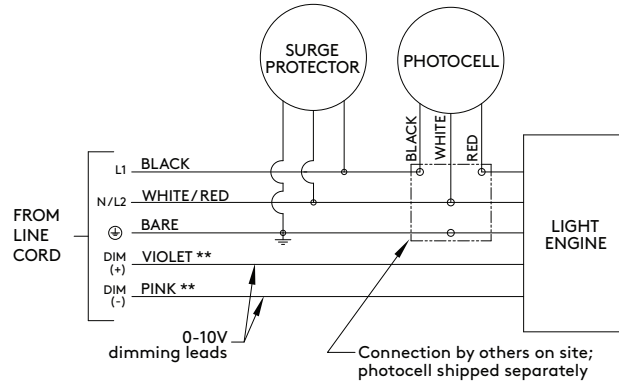
Standard Wiring (347/480V with Step-down Transformer)

**When dimming is not required cap dimming wires.



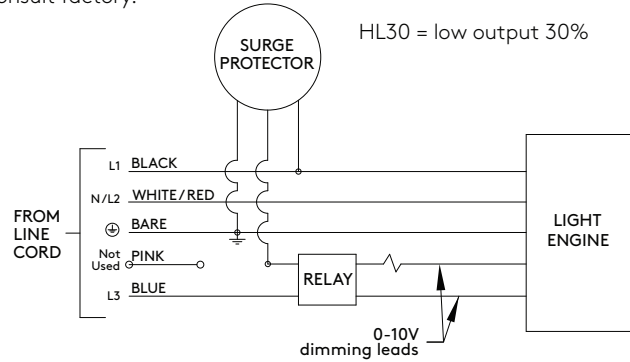
Photocell Option (PC) Wiring

**When dimming is not required cap dimming wires.



Hi-Lo Switching Option (HL) Wiring HL30 Only

120V, 240V, 277V. When blue is energized, light output will be at "Lo" level. Specify low-level by using the level listed below. For other combinations, consult factory.



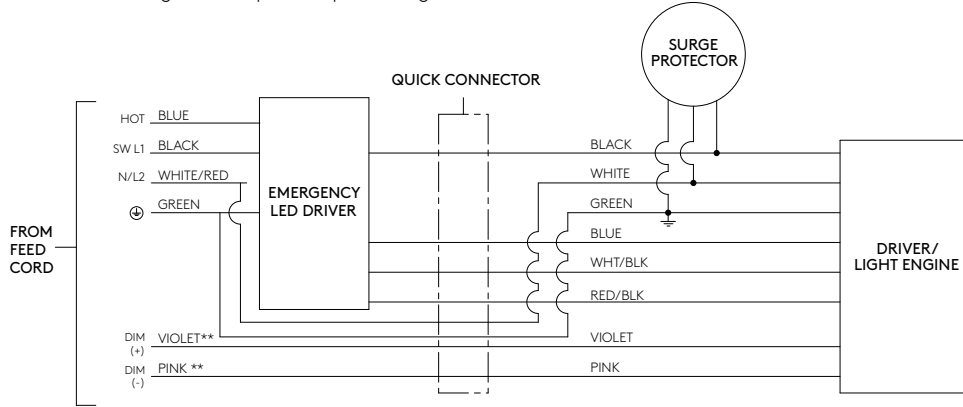
Wire Designation Table		
Source Voltage (VAC)	Wire Color	Wire Designation
120V, 277V, or 347V	Black	L1
	White	Neutral
208V, 240V, or 480V	Black	L1
	Red	L2
UNV (120V-277V)	Black	L1
	White	Neutral (120/277V) or L2 (208/240V)

Wiring Diagrams

Standard Wiring (120V-277V) with (EM) Option

100% light output at 10V, down to 1% light output at 0V.

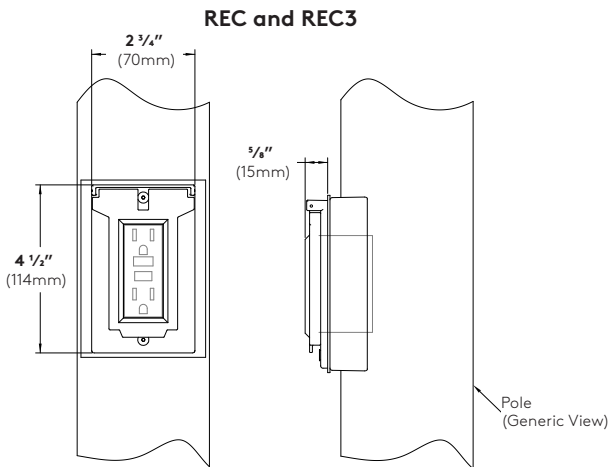
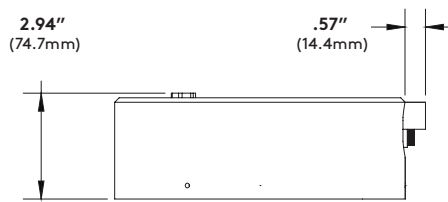
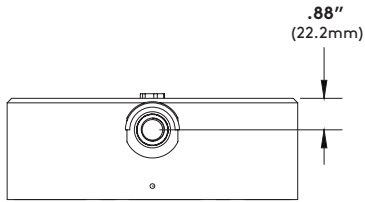
** When dimming is not required cap dimming wires.



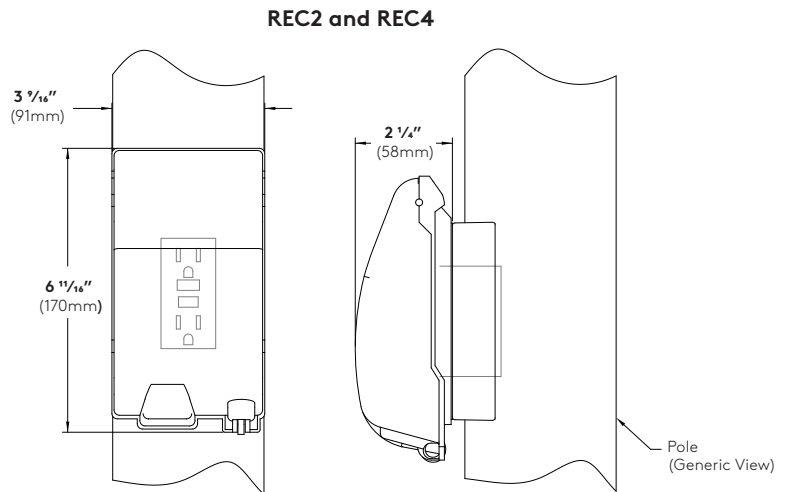
Wire Designation Table		
Source Voltage (VAC)	Wire Color	Wire Designation
120V or 277V	Black	L1 (Switched)
	White	Neutral
	Red	Hot (Unswitched)
208V or 240V	Black	L1 (Switched)
	Blue	L2
	Red	Hot (Unswitched)
UNV (120V-277V)	Black	L1 (Switched)
	White	Neutral (120/277V) or L2 (208/240V)
	Red	Hot (Unswitched)

Optional Accessories

Photo Cell (PC) - Integrated in top cap for 360° of orientation adjustment in the field.



Cover shown in the closed position



Cover shown in the closed position

GFCI Receptacle (REC) - 120V 15A GFCI duplex receptacle with weatherproof, self-closing cover; located 36" (915mm) o.c. from base of pole, in-line with hand hole. Receptacle is intended only for portable tools or other portable equipment to be connected to outlet only when attended by operating personnel (120V only).

USB & Duplex Receptacle (REC3) (not shown) - 120V 20A duplex receptacle with USB combination ports. (1) type A and (1) type C high power 5A, 5V USB outlets. With weatherproof, self-closing cover; located 36" (915mm) o.c. from base of pole, in-line with hand hole. Receptacle is intended only for portable tools or other portable equipment to be connected to outlet only when attended by operating personnel.

REC3 does not incorporate GFCI (Ground Fault Circuit Interrupter) protection, and shall be powered by a GFCI protected branch circuit (by others).

GFCI Receptacle (REC2) - 120V 15A GFCI duplex receptacle with weatherproof, self-closing, padlockable in-use cover; located 36" (915mm) o.c. from base of pole, in-line with hand hole. Receptacle is intended only for portable tools or other portable equipment to be connected to outlet only when attended by operating personnel (120V only).

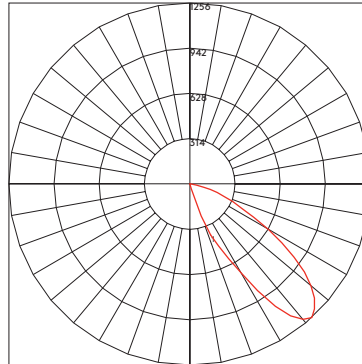
USB & Duplex Receptacle (REC4) (not shown) - 120V 20A duplex receptacle with USB combination ports. (1) type A and (1) type C high power 5A, 5V USB outlets. With weatherproof, self-closing padlockable in-use cover; located 36" (915mm) o.c. from base of pole, in-line with hand hole. Receptacle is intended only for portable tools or other portable equipment to be connected to outlet only when attended by operating personnel.

REC4 does not incorporate GFCI (Ground Fault Circuit Interrupter) protection, and shall be powered by a GFCI protected branch circuit (by others).

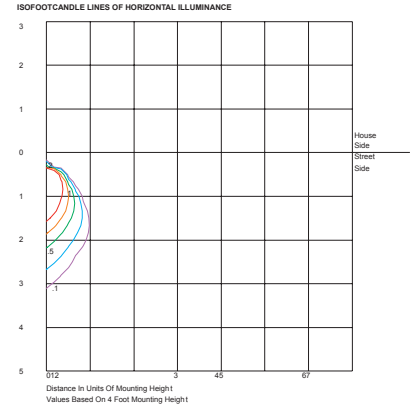
Photometry

1Q / 8W LED / 5000K CCT

Catalog #: IBL-X-1Q-50-XX-120-DS
 Report #: 1197031-50
 Maximum candela of 1256 at 42.5° from vertical.
 Mounting Height = 4' (1.22 m)
 577 Delivered Lumens
 75 Lumens per Watt
 B0-U0-G0

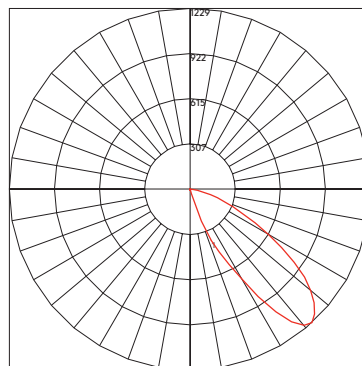


Maximum Candela = 1256.772 Located At Horizontal Angle = 315, Vertical Angle = 42.5
 # 1 - Vertical Plane Through Horizontal Angles (315 - 135) (Through Max. Cd.)

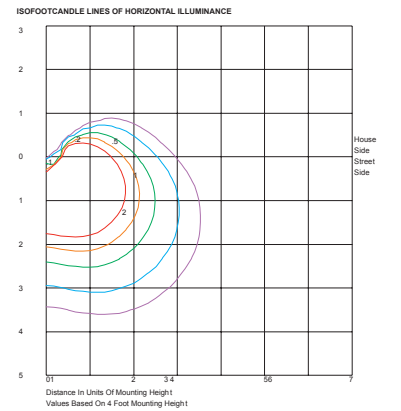


2Q90 / 14W LED / 5000K CCT

Catalog #: IBL-X-2Q90-50-XX-120-DS
 Report #: 1197029-50
 Maximum candela of 1229 at 42.5° from vertical.
 Mounting Height = 4' (1.22 m)
 1158 Delivered Lumens
 82 Lumens per Watt
 B0-U0-G0

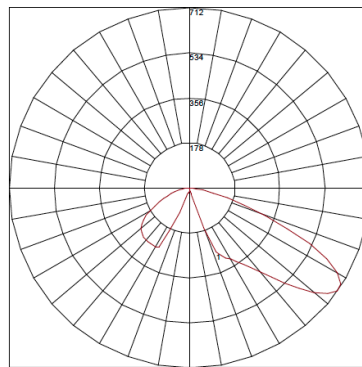


Maximum Candela = 1229.367 Located At Horizontal Angle = 45, Vertical Angle = 42.5
 # 1 - Vertical Plane Through Horizontal Angles (45 - 225) (Through Max. Cd.)

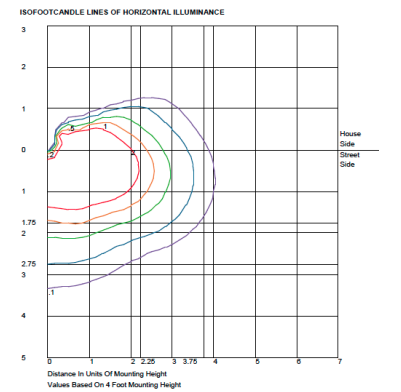


2Q90MU / 14W LED / 5000K CCT

Catalog #: IBL-XX-2Q90MU-50-XX-UNV
 Report #: 13374611.02
 Maximum candela of 712 at 55° from vertical.
 Mounting Height = 4' (1.22 m)
 854 Delivered Lumens
 81 Lumens per Watt
 B1-U0-G1

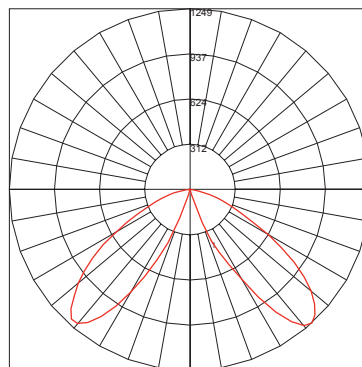


Maximum Candela = 712.165 Located At Horizontal Angle = 75, Vertical Angle = 55
 # 1 - Vertical Plane Through Horizontal Angles (75 - 255) (Through Max. Cd.)

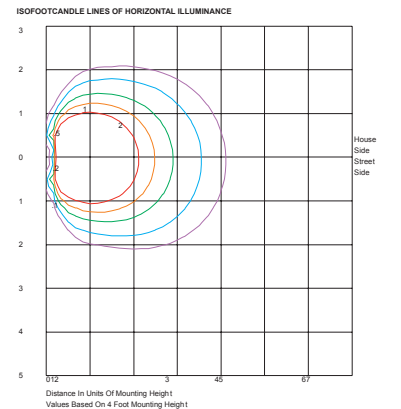


2Q180 / 14W LED / 5000K CCT

Catalog #: IBL-X-2Q180-50-XX-120-DS
 Report #: 1197024-50
 Maximum candela of 1249 at 42.5° from vertical.
 Mounting Height = 4' (1.22 m)
 1156 Delivered Lumens
 81 Lumens per Watt
 B1-U0-G0



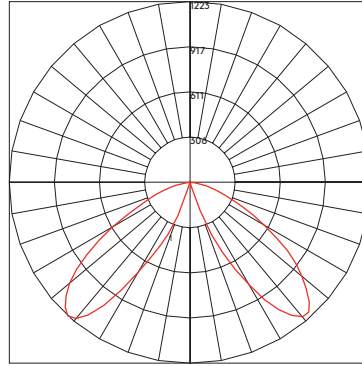
Maximum Candela = 1248.93 Located At Horizontal Angle = 85, Vertical Angle = 42.5
 # 1 - Vertical Plane Through Horizontal Angles (85 - 265) (Through Max. Cd.)



Photometry

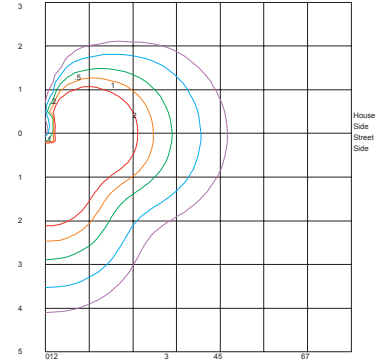
3Q / 20W LED / 5000K CCT

Catalog #: IBL-X-3Q-50-XX-120-DS
 Report #: 1197021-50
 Maximum candela of 1223 at 42.5° from vertical.
 Mounting Height = 4' (1.22 m)
 1689 Delivered Lumens
 82 Lumens per Watt
 B1-U0-G0



Maximum Candela = 1223 Located At Horizontal Angle = 270, Vertical Angle = 42.5
 # 1 - Vertical Plane Through Horizontal Angles (270 - 90) (Through Max. Cd.)

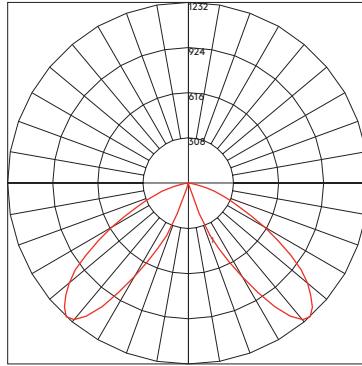
ISOFOOTCANDLE LINES OF HORIZONTAL ILLUMINANCE



Distance In Units Of Mounting Height
 Values Based On 4 Foot Mounting Height

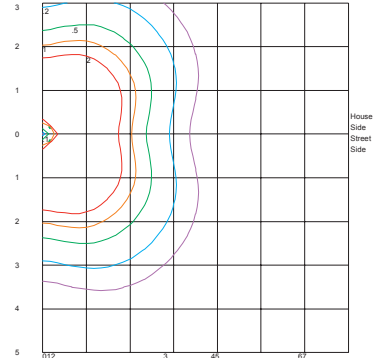
4QS / 27W LED / 5000K CCT

Catalog #: IBL-X-4QS-50-XX-120-DS
 Report #: 1197039-50
 Maximum candela of 1232 at 42.5° from vertical.
 Mounting Height = 4' (1.22 m)
 2246 Delivered Lumens
 83 Lumens per Watt
 B1-U0-G0



Maximum Candela = 1231.933 Located At Horizontal Angle = 45, Vertical Angle = 42.5
 # 1 - Vertical Plane Through Horizontal Angles (45 - 225) (Through Max. Cd.)

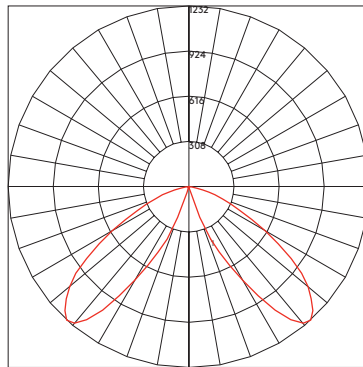
ISOFOOTCANDLE LINES OF HORIZONTAL ILLUMINANCE



Distance In Units Of Mounting Height
 Values Based On 4 Foot Mounting Height

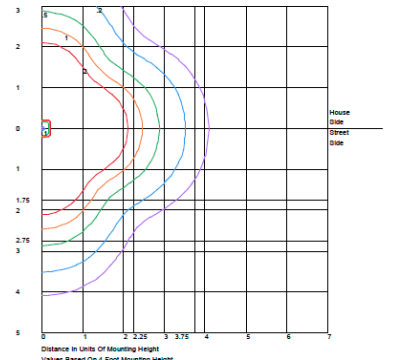
4QD / 27W LED / 5000K CCT

Catalog #: IBL-X-4QD-50-XX-120-DS
 Report #: 1197039-50
 Maximum candela of 1232 at 42.5° from vertical.
 Mounting Height = 4' (1.22 m)
 2246 Delivered Lumens
 83 Lumens per Watt
 B1-U0-G0



Maximum Candela = 1231.933 Located At Horizontal Angle = 45, Vertical Angle = 42.5
 # 1 - Vertical Plane Through Horizontal Angles (45 - 225) (Through Max. Cd.)

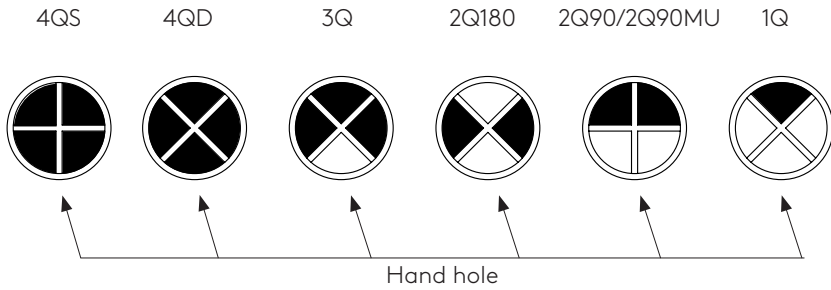
ISOFOOTCANDLE LINES OF HORIZONTAL ILLUMINANCE



Distance In Units Of Mounting Height
 Values Based On 4 Foot Mounting Height

Multiplier Chart	
3000K to Amber	0.22
3000K to 2700K	0.92
3000K to 4000K	1.00
3000K to 4000K	1.00
3000K to 5000K	1.07

LED Light Engine Distribution Guide



TM-21 Lifetime Calculation					
Light Engine	Ambient Temp (°C)	Lumen Maintenance (% at hours)			Reported L ₇₀ ¹
		25K	50K	70K	
All ²	25°C	99.8%	99.8%	99.8%	L ₇₀ (12K) > 70,000 hours
	40°C	99.8%	99.8%	99.8%	L ₇₀ (12K) > 70,000 hours

- 1. Calculated in accordance with IESNA TM-21-11, projected values are within 6 times (6x) the IESNA LM-80-08 test duration
- 2. Thermal measurements based on Order Code: IBL-x-2Q90MU-27-SV-UNV

Date: _____ Customer: _____

Project: _____

Type: _____ Qty: _____



Ouray 400



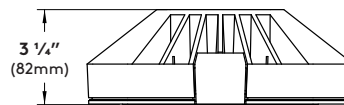
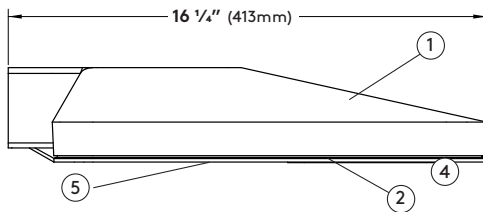
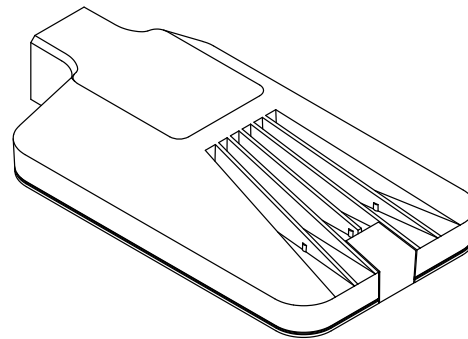
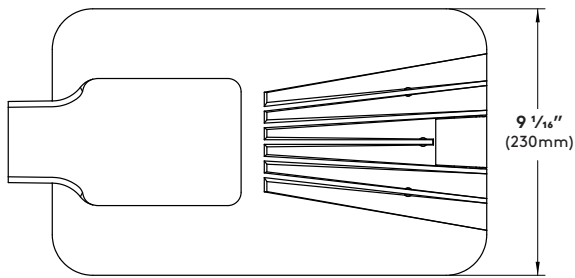
Order Code: U4 - - - - -

Pole Order Code: _____

	Series	Height	Finish	Options					
<u>U4</u>	U4 Ouray 400								
Optics	R1 Type I	R2 Type II	R3 Type III	R3W Type III (Wide)	R4 Type IV	R5R Type V (Round)	R5S Type V (Square)	R5Q Type V (Rectangular)	PP Plane Projector
Fixed Mounting	S 60mm Slip Fitter	SA Single Pole Adaptor	S1 Single Short Arm	S2 Double Short Arm	L1 Single Long Arm	L2 Double Long Arm	W Wall Mount	WD Decorative Wall Box	* May be combined with adjustable mounting
Adjustable Mounting	AT¹ Adjustable Tilt	AS Adjustable Swivel	XX None						¹ AT mounting not IDA approved
Light Engine	5G350 19W/2,012lm	5G530 28W/2,935lm	5G700 39W/3,722lm	5G105 58W/5,169lm	5G140² 75W/6,120lm				² 347/480V and HLXX options cannot be combined with 5G140 ³ Based on R1 distributions at 3000K CCT no glass
CCT	27¹* 2700K	30¹ 3000K	35* 3500K	40 4000K	50* 5000K				¹ 2700K and 3000K IDA Approved * Consult factory for lead time
Power Cord Length	8 8'	10 10'	12 12'	14 14'	16 16'	18 18'	XX XX'		*Add length of arm and height of pole to determine power cord length
Finish	WH White	BK Black	BL Semi-Matte Black	BZ Bronze	SV Silver	SP Specify Premium Color			
Voltage	UNV 120-277V	120⁴ 120V	240⁴ 240V	277⁴ 277V	347 347V	480 480V			⁴ Specify for HLXX option
Options	DM⁶ Dimming (0-10V)	HS⁵ House Side Shield (180°)	HL30^{6,8} Hi-Lo Switching Low Output 30%	HL50^{6,8} Hi-Lo Switching Low Output 50%	CO⁹ Comfort Optics (Not available with PP optics)	GL⁹ Tempered Glass Lens	TLR⁶ Twist Lock Receptacle 7-Pin with Shorting Cap		⁵ Type I, II, III, and IV only ⁶ DM, HLXX, TLR, or MS only. Cannot be combined. ⁷ TLRP or MS only. Cannot be combined. ⁸ 120V, 240V or 277V only ⁹ Glass is included with CO and PP options and does not need to be specified separately
	TLRP⁷ Twist Lock Receptacle 3-Pin with Photocell	MS^{6,7} Pole Motion Sensor with Optional (See page 9 for order code)							



U4



Specifications

1. Fixture Housing - Die cast low copper marine grade aluminum body and door. Optional tempered glass lens.

2. Gasketing - Continuous molded silicone gasket provides weatherproofing, dust and insect control at all luminaire connections.

3. Access Door - Die cast low-copper marine grade aluminum door. Hinges open for toolless access to LED light engine and is retained in place with fixed hinge.

4. LED Array - High Flux LEDs mounted to metal core PCB and attached to external heat sink for maximum LED performance and life. CCT tolerance within a 3-step binning for 2700K, 3000K, 3500K, 4000K, and 5000K. CRI minimum 80. LED array has a reported lumen maintenance of 93% at 50,000 hours. L70 calculated greater than 100,000 hours. Exposed face rated to IP65.

5. LED Optics - Technical Optics (R1, R2, R3, R3W, R4, R5S, R5Q, and R5R) use Selux signature light pattern acrylic lens holder to secure proprietary silicone optics. Internal micro house side shield available for distributions types I, II, III and IV. Plane Projector (PP) optics available for up lighting. Comfort Optics (CO) option provided with fully diffuse glass.

6. LED Driver - LEDs are driven by RoHS compliant constant current programmable LED drivers. Driver includes 0-10V dimming to 10% and meets the requirements of IP66. Driver assembly located inside the head and accessible through the hinged door.

7. Surge Protection - 3-Pole Surge Protection device safeguards electrical components from indirect lighting strikes and surges up to (20kA standard). RoHS compliant.

Exterior Luminaire Finish - Selux utilizes a high quality Polyester Powder Coating. All Selux luminaires and poles are finished in our Tiger Drylac certified facility and undergo a five stage intensive pretreatment process where product is thoroughly cleaned, phosphated and sealed. Selux powder coated products provide excellent salt and humidity resistance as well as ultra violet resistance for color retention. All products are tested in accordance with test specifications for coatings from ASTM and PCI.

Standard exterior colors are White (WH), Black (BK), Semi-Matte Black (BL), Bronze (BZ), and Silver (SV). Selux premium colors (SP) are available, please specify from your Selux color selection guide. Hot Dip Galvanized finish (GV) on all steel parts also available.

5 Year Limited LED Luminaire Warranty - Selux offers a 5 Year Limited Warranty to the original purchaser that Ouray LED luminaire shall be free from defects in material and workmanship for up to five (5) years from date of shipment. This limited warranty covers the fixture, LED driver and LED light engine when installed and operated according to Selux instructions. Fixture suitable for ambient temperatures of 45°C (113°F). For details and exclusions, see "Selux Terms and Condition of Sale."

Listings and Ratings: Tested to IESNA LM-79-08 and LM-80 test standards at 25°C ambient temperature. Rated for wet location.

Visit selux.us for our LED End of Life recycling policy.

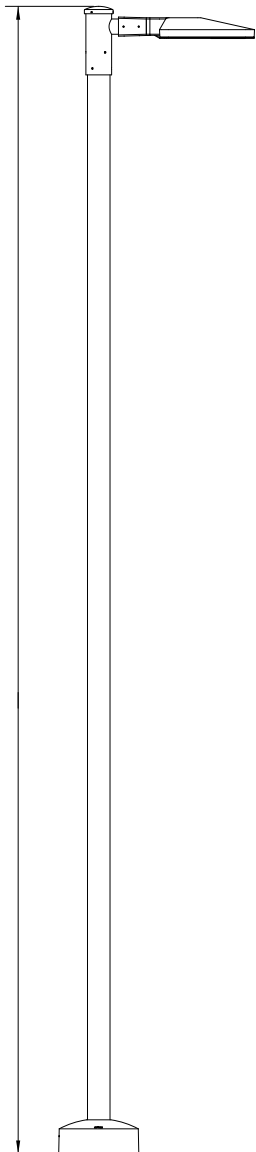
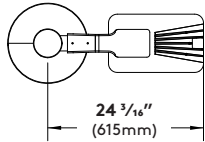
NRTL Listed (i.e. UL, CSA)

For Buy American compliance on poles, please consult the factory.

Mounting

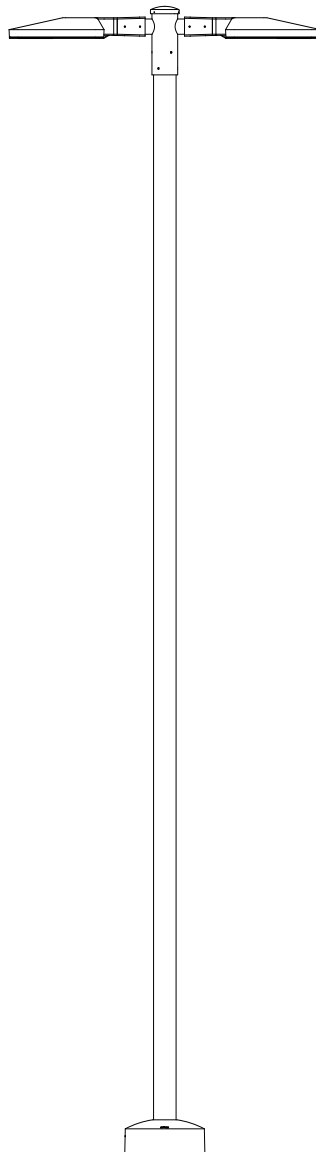
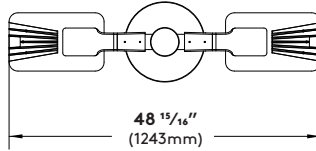
S1 - Single Short Arm

EPA = 0.7ft² (0.07m²)
Weight = 17lbs. (8kg)



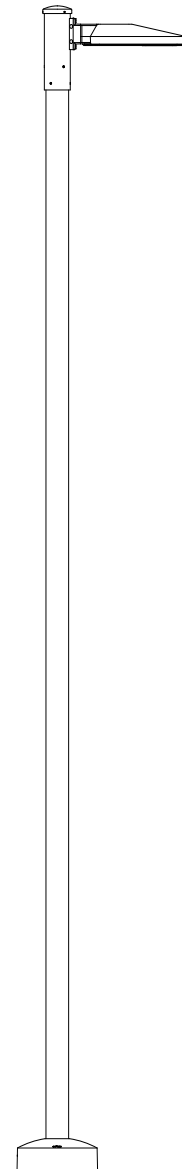
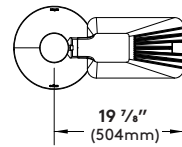
S2 - Double Short Arm

EPA = 1.2ft² (0.11m²)
Weight = 31lbs. (14kg)



SA - Single Pole Adaptor

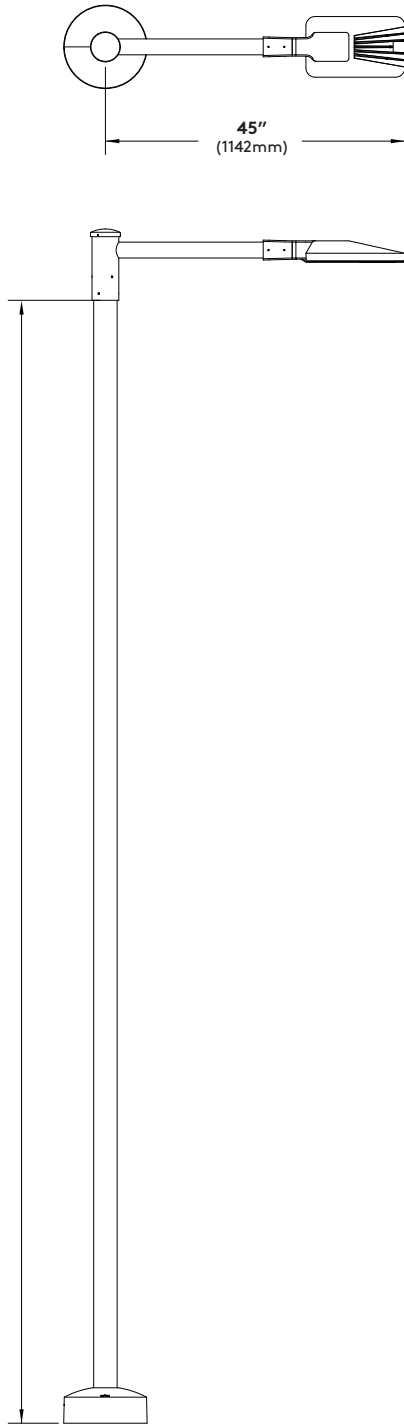
EPA = 0.4ft² (0.04m²)
Weight = 15lbs. (7kg)



Mounting

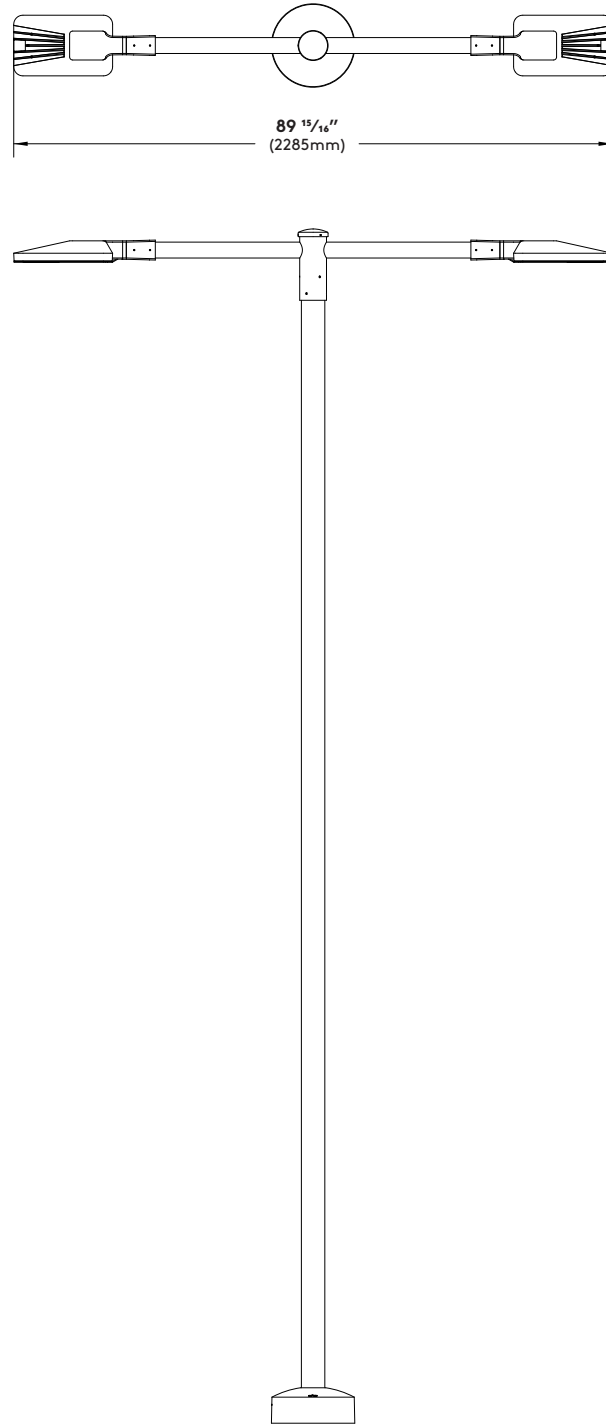
L1 - Single Long Arm

EPA = 1.0ft² (0.09m²)
Weight = 17lbs. (8kg)

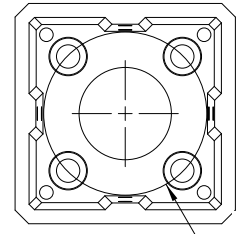
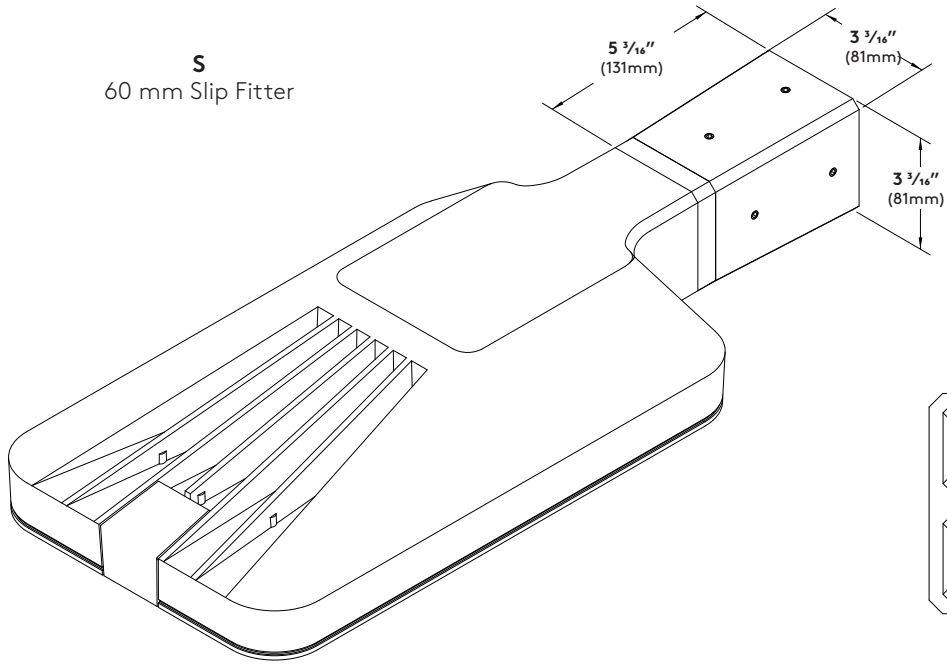


L2 - Double Long Arm

EPA = 1.6ft² (0.15m²)
Weight = 31lbs. (14kg)

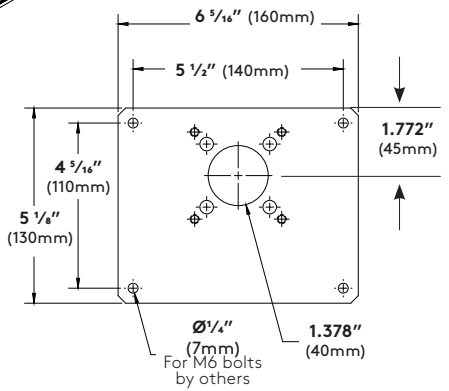
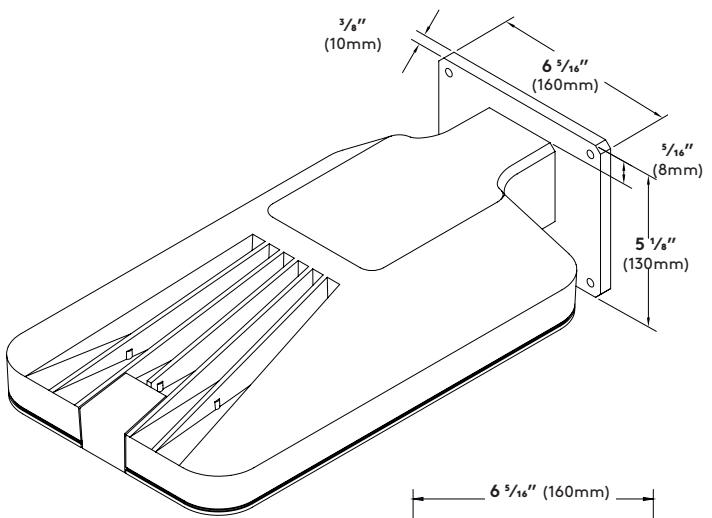


Mounting Details

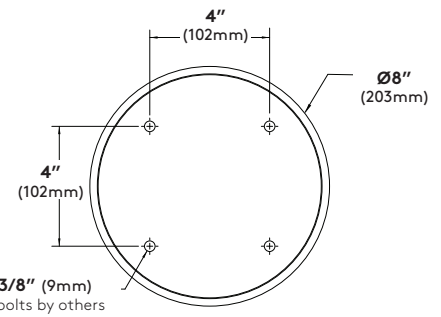
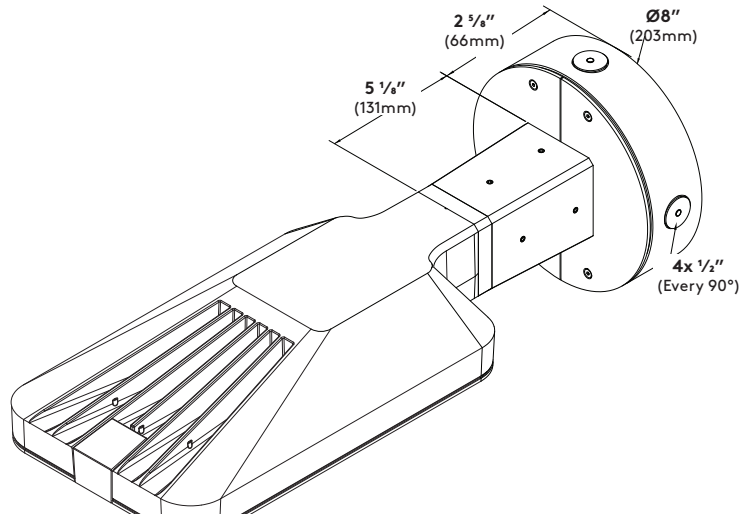


Fits $\text{Ø} 2 \frac{3}{8}$ " (60mm) Tube

W
Wall Mount



WD
Decorative Wall Box



¹/₂" conduit by others

Mounting Details

AT Adjustable Tilt

EPA = 0.1ft² (0.01m²)

Weight = 2.5lbs. (1.1kg)

AT/AS mounting only - Add to primary mounting values.

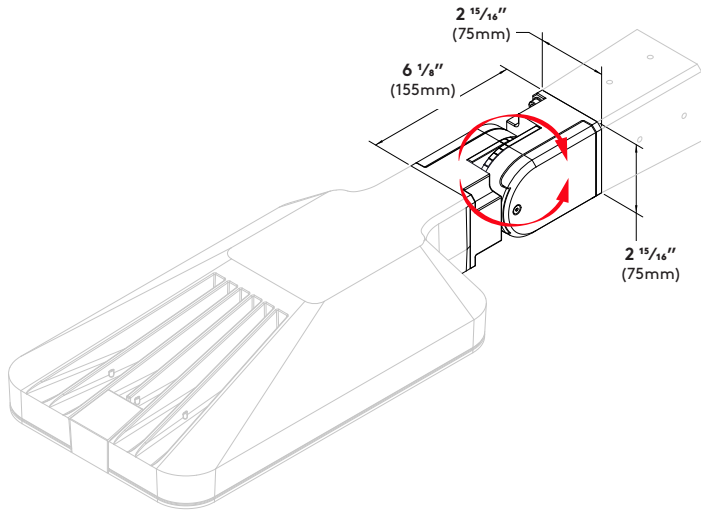
AS Adjustable Swivel

EPA = 0.1ft² (0.01m²)

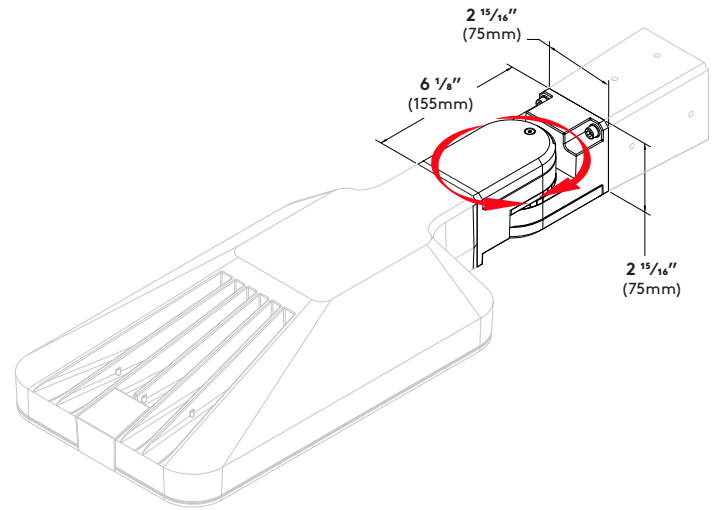
Weight = 2.5lbs. (1.1kg)

AT/AS mounting only - Add to primary mounting values.

Adjustable arm located between fixture head and fixed mounting.



Tilt +/- 90° in 2.5° increments



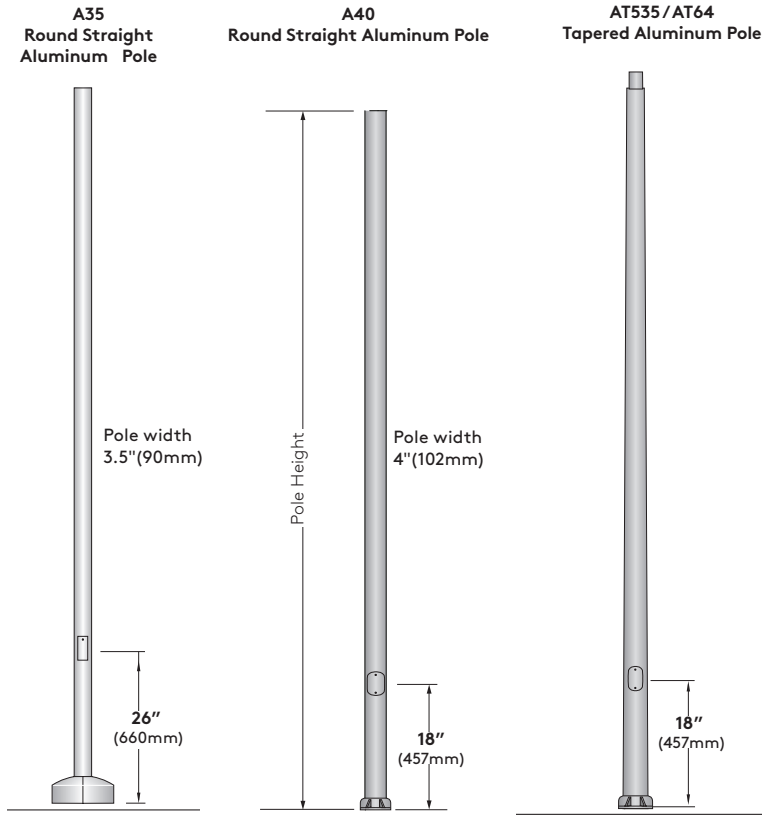
Swivel +/- 90° in 2.5° increments

Pole Information

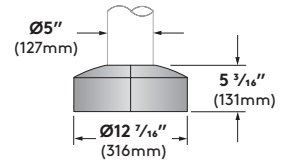
Refer to pole specification sheets for construction details, anchorage information and additional options.

Optional Base Covers for Poles

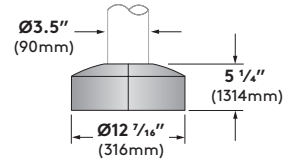
Die cast aluminum.



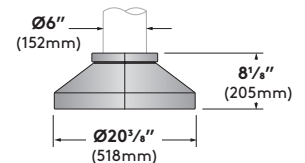
BC3 Optional Base Cover (AT535)
Die cast aluminum, two-piece field installable base cover.



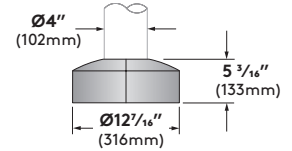
BC5 Decorative Cast Aluminum Base Cover (A35 Pole Only)
Die cast aluminum, two-piece field installable base cover.



BC9 Optional Base Cover (AT64)
Die cast aluminum, two-piece field installable base cover.



BC13 Optional Base Cover (A40)
Die cast aluminum, two-piece field installable base cover.



Pole Data Chart

Pole Series	Bolt Circle	EPA Information (ft2)										Height	Finish	Options
		90 mph	100 mph	110 mph	120 mph	130 mph	140 mph	150 mph	160 mph	170 mph	180 mph			
A35 3 1/2" Round Straight Aluminium Pole	7 3/4"	8.7	6.8	5.4	4.3	3.5	2.9	2.5	2.1	1.8	1.6	8 ft	WH White	BC3 Decorative Cast Aluminium Base Cover (AT535)
A35 3 1/2" Round Straight Aluminium Pole	7 3/4"	6.4	4.9	3.8	2.9	2.2	1.8	1.5	1.2	1.0	0.9	10 10ft	BK Black	BC5 Decorative Cast Aluminium Base Cover (A35 Pole Only)
A35 3 1/2" Round Straight Aluminium Pole	7 3/4"	4.8	3.5	2.6	1.8	1.3	0.9	0.7	0.6	0.4	-	12 12ft	BL Semi-Matte Black	BC9 Decorative Cast Aluminium Base Cover (AT64)
A40 4" Round straight Aluminium Pole	7 1/2"	9.3	7.2	5.6	4.5	3.7	3.1	2.7	2.3	2.0	1.7	14 14ft	BZ Bronze	BC13 Decorative Cast Aluminium Base Cover (A40)
AT535 5" to 3.5" Round tapered Aluminium Pole	8 5/8"	13.4	10.5	8.4	6.9	5.8	4.9	4.2	3.6	3.2	2.8		T35 Supplied with 3/2" diameter tenon, 4/8" high (use for A40, AT64, AT74 only)	
AT64 6" to 4" Round tapered Aluminium Pole	9 1/2"	20.3	16.1	13.1	10.9	9.2	7.9	6.8	5.9	5.2	4.5	16 16ft	SV Silver	REC GFCI Receptacle with weather-proof cover
A35 3 1/2" Round Straight Aluminium Pole	7 3/4"	3.5	2.4	1.6	1.0	0.5	-	-	-	-	-		REC2 GFCI Receptacle with padlockable in-use cover	
A40 4" Round straight Aluminium Pole	7 1/2"	10.3	7.9	6.1	4.9	4.0	3.4	2.9	2.5	2.1	1.8	16 16ft	SP Specify Premium Color	REC3 USB and Duplex Receptacle with weather proof cover
AT535 5" to 3.5" Round tapered Aluminium Pole	8 5/8"	11.2	8.7	6.9	5.5	4.6	3.8	3.3	2.8	2.4	2.1		REC4 USB & Duplex Receptacle with weatherproof padlockable in-use cover	
AT64 6" to 4" Round tapered Aluminium Pole	9 1/2"	17.2	13.6	11.0	9.1	7.6	6.5	5.6	4.8	4.2	3.7	16 16ft		MS Motion Sensor with Optional Photocell
A35 3 1/2" Round Straight Aluminium Pole	7 3/4"	2.1	1.2	0.6	-	-	-	-	-	-	-			
A40 4" Round straight Aluminium Pole	7 1/2"	8.3	6.2	4.7	3.6	3.0	2.5	2.1	1.7	1.5	1.2			
AT535 5" to 3.5" Round tapered Aluminium Pole	8 5/8"	9.1	6.9	5.4	4.3	3.4	2.9	2.4	2.0	1.7	1.5			
AT64 6" to 4" Round tapered Aluminium Pole	9 1/2"	14.3	11.2	9.0	7.4	6.2	5.2	4.4	3.8	3.3	2.9			

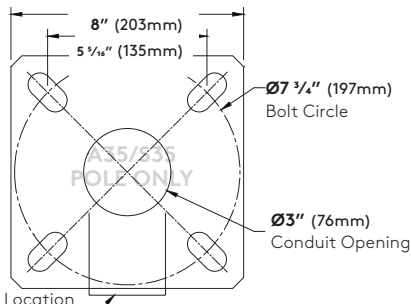
* Weatherproof cover intended for portable tools or other portable equipment connected to the outlet only when attended. For other requirements please consult factory.

Pole Information

Refer to pole specification sheets for construction details, anchorage information and additional options.

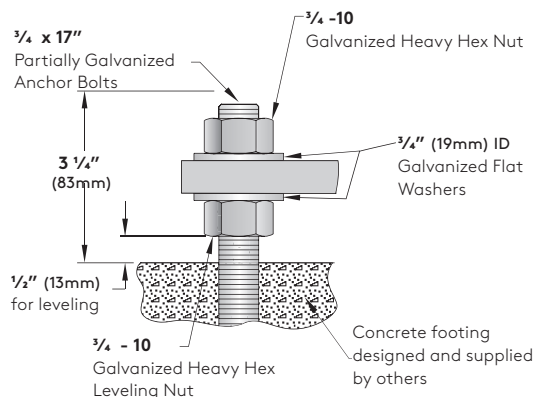
Bolt Circle for A35 & S35

Use caution when setting anchor bolts. Bolts must be vertically straight and centered on dimensions shown



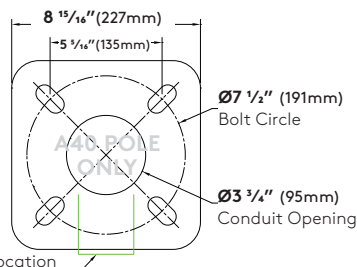
Note: Adequate drainage must be provided in concrete foundation.

Anchor Bolt Detail for A35 & S35



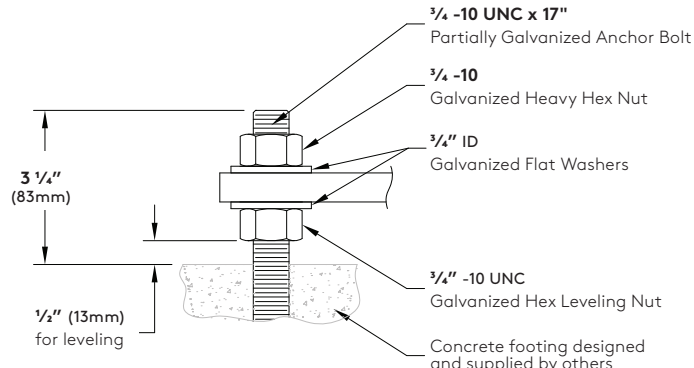
Bolt Circle for A40

Use caution when setting anchor bolts. Bolts must be vertically straight and centered on dimensions shown



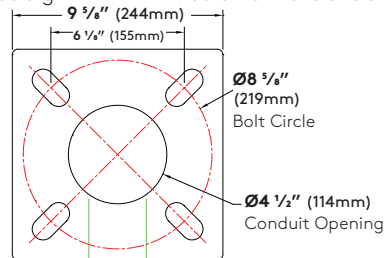
Note: Adequate drainage must be provided in concrete foundation.

Anchor Bolt Detail for A40



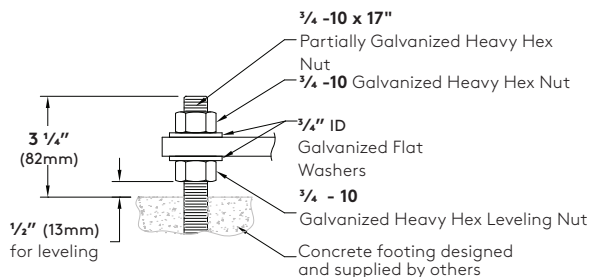
Bolt Circle for AT535

Use caution when setting anchor bolts. Bolts must be vertically straight and centered on dimensions shown



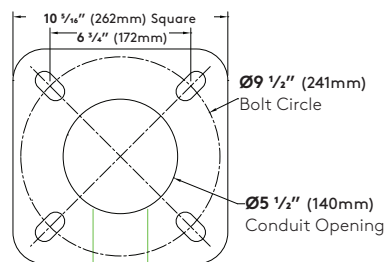
Hand Hole Location

Anchor Bolt Detail for AT535



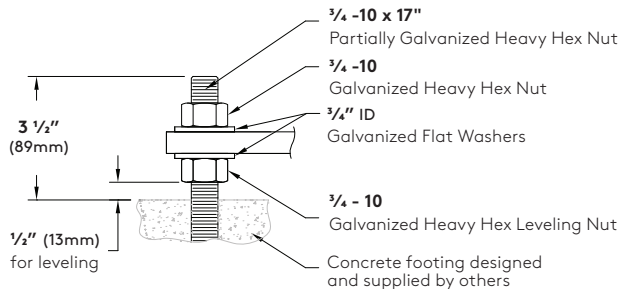
Bolt Circle for AT64

Use caution when setting anchor bolts. Bolts must be vertically straight and centered on dimensions shown



Hand Hole Location

Anchor Bolt Detail for AT64



Round Pole Motion Sensor

The Selux outdoor rated sensor incorporates Passive Infrared (PIR) Technology for motion sensing and also includes built-in photocell. Sensor comes pre-installed in cast aluminum housing painted to match pole finish.

Series	Hand Hole Orientation	Dim Level	Photocell Feature	Voltage
MS Motion Sensor	00 0° Clockwise from Hand Hole	D0 (Off)	Y Yes	UNV (100-347VAC single phase or 208/230/480VAC phase-to-phase)
	09 90° Clockwise from Hand Hole	D1 (1V=10%)		
	18 180° Clockwise from Hand Hole	D3 (3V=30%)	N No	
	27 270° Clockwise from Hand Hole	D5 (5V=50%)		

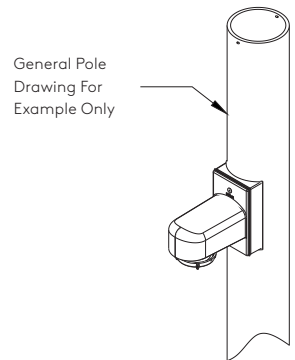
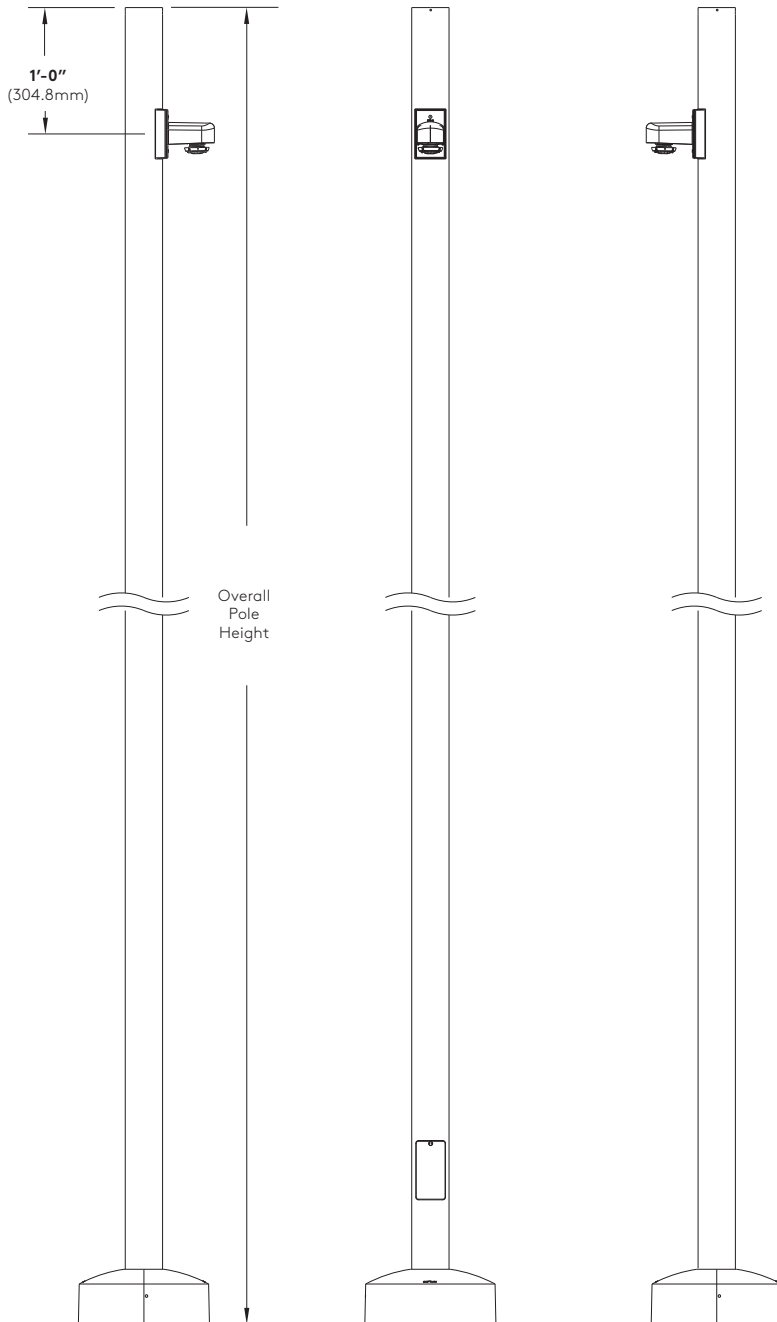
Factory Defaults:

Delay to Dim: 5 minutes

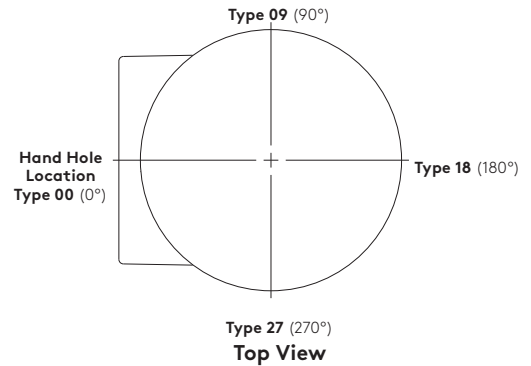
Delay to Off: 1 hour

Sensitivity: Max

Custom Programming: Consult Factory



Sensor angular orientation from hand hole 0°
90° increments clockwise around pole (Type 00, 09, 18, 27)



Motion Sensor Features

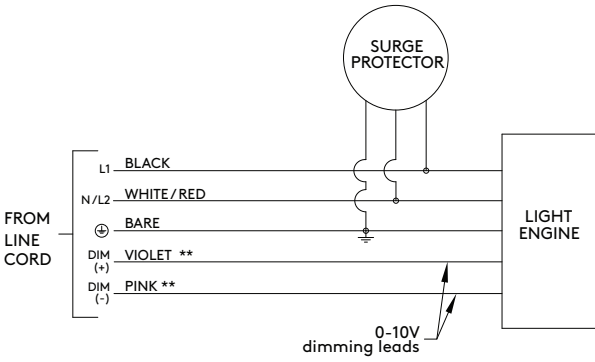
- Customizing programming using smartphone application (Refer to the FSP-321 at www.wattstopper.com)
- 5 Year Warranty
- 100% Digital PIR Detection, excellent RF Immunity
- 270° coverage pattern
- IP66 Rated for outdoor applications
- Made for LED light source
- Adjustable time delays, max/min dim levels, and ramp rates
- Suitable for Title 24 applications

(For coverage details refer to wattstopper FSP-321 spec sheet at www.wattstopper.com)

Wiring Diagrams

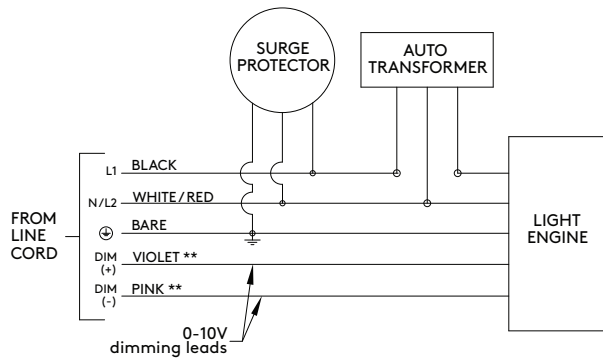
Standard Wiring (120V-277V)

**When dimming is not required cap dimming wires.



Standard Wiring (347/480V with Step-down Transformer)

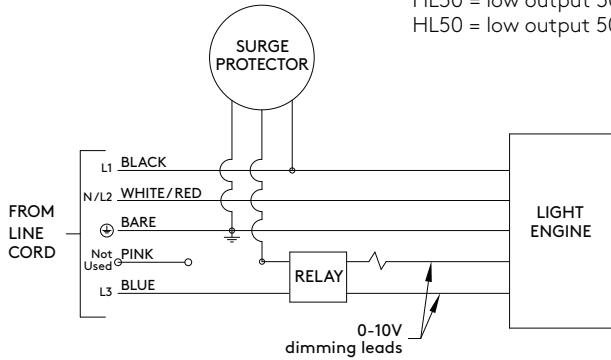
**When dimming is not required cap dimming wires.



Hi-Lo Switching Option (HL) Wiring HL30 & HL50 Only

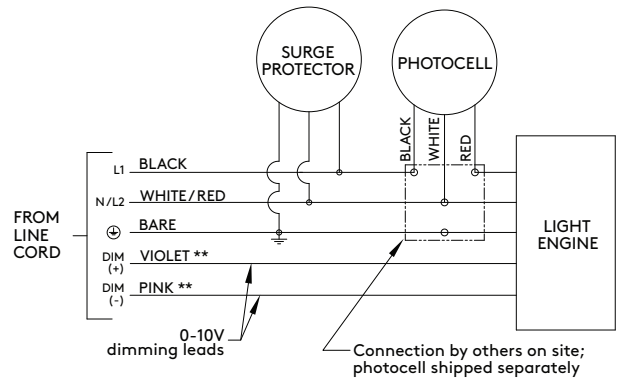
120V, 240V, 277V. When blue is energized, light output will be at "Lo" level. Specify low-level by using one of the 2 levels listed below (i.e. HL30 or HL50). For other combinations, consult factory

HL30 = low output 30%
HL50 = low output 50%

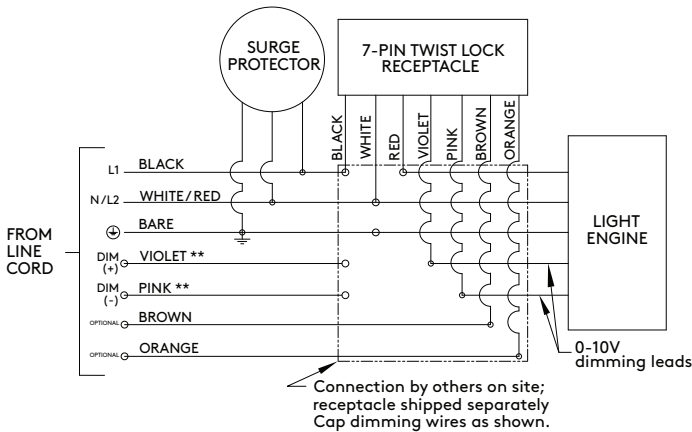


Photocell Option (TLRP) Wiring

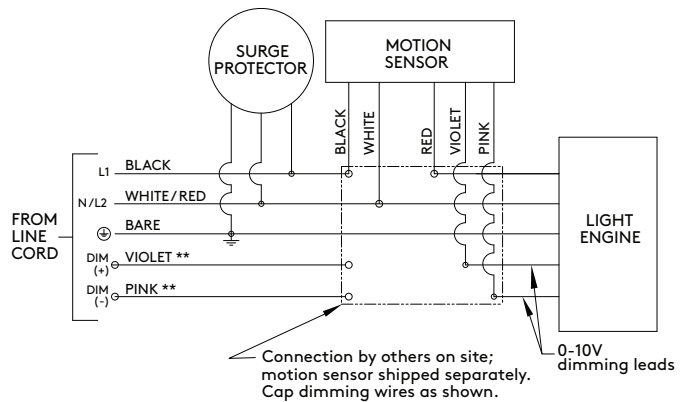
**When dimming is not required cap dimming wires.



7-Pin Twist Lock Receptacle Option (TLR) Wiring



Motion Sensor Option (MS) Wiring (120-277V)

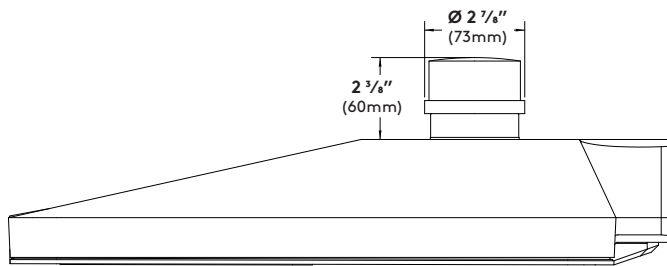


Wire Designation Table

Source Voltage (VAC)	Wire Color	Wire Designation
120V, 277V, or 347V	Black	L1
	White	Neutral
208V, 240V, or 480V	Black	L1
	Red	L2
UNV (120V-277V)	Black	L1
	White	Neutral (120/277V) or L2 (208/240V)

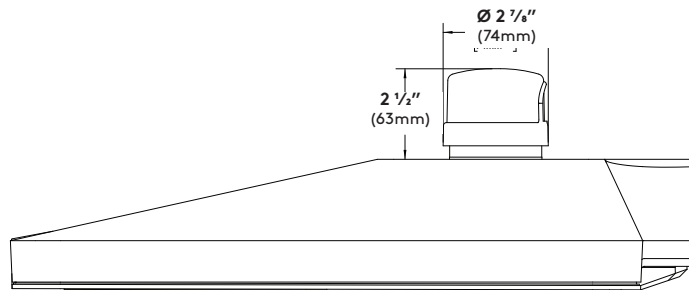
Optional Accessories

(TLR) 7-Pin Twist Lock Receptacle with shorting cap



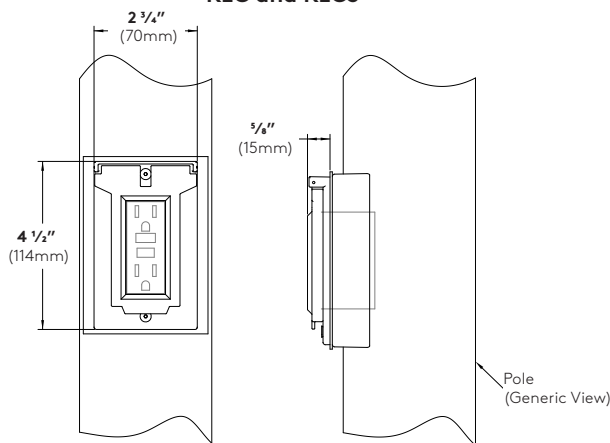
TLR = 7-Pin Twist Lock Receptacle with Shorting Cap

(TLRP) 3-Pin Twist Lock Receptacle with Photocell



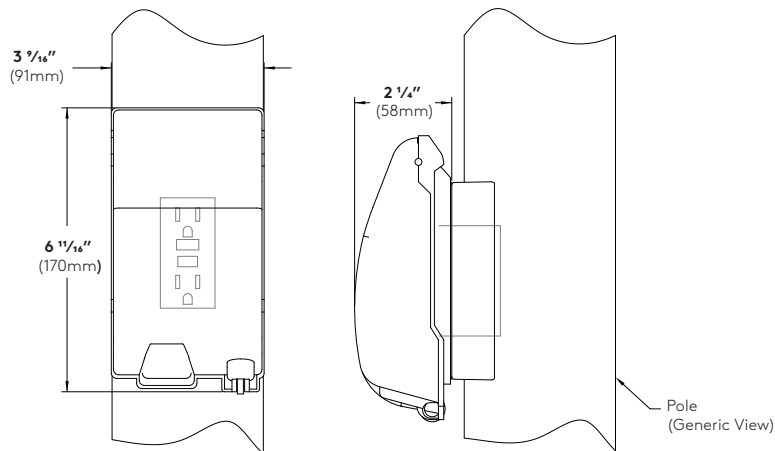
TLRP = TE Connectivity BF Series (BF-PV) 3-Pin

REC and REC3



Cover shown in the closed position

REC2 and REC4



Cover shown in the closed position

GFCI Receptacle (REC) - 120V 15A GFCI duplex receptacle with weatherproof, self-closing cover; located 36" (915mm) o.c. from base of pole, in-line with hand hole. Receptacle is intended only for portable tools or other portable equipment to be connected to outlet only when attended by operating personnel (120V only).

USB & Duplex Receptacle (REC3) (not shown) - 120V 20A duplex receptacle with USB combination ports. (1) type A and (1) type C high power 5A, 5V USB outlets. With weatherproof, self-closing cover; located 36" (915mm) o.c. from base of pole, in-line with hand hole. Receptacle is intended only for portable tools or other portable equipment to be connected to outlet only when attended by operating personnel.

REC3 does not incorporate GFCI (Ground Fault Circuit Interrupter) protection, and shall be powered by a GFCI protected branch circuit (by others).

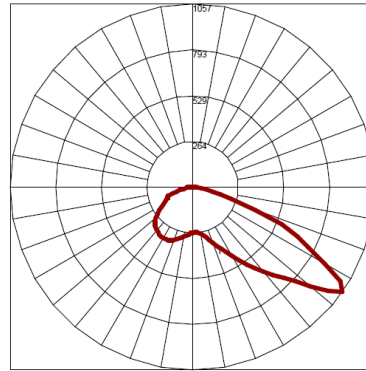
GFCI Receptacle (REC2) - 120V 15A GFCI duplex receptacle with weatherproof, self-closing, padlockable in-use cover; located 36" (915mm) o.c. from base of pole, in-line with hand hole. Receptacle is intended only for portable tools or other portable equipment to be connected to outlet only when attended by operating personnel (120V only).

USB & Duplex Receptacle (REC4) (not shown) - 120V 20A duplex receptacle with USB combination ports. (1) type A and (1) type C high power 5A, 5V USB outlets. With weatherproof, self-closing padlockable in-use cover; located 36" (915mm) o.c. from base of pole, in-line with hand hole. Receptacle is intended only for portable tools or other portable equipment to be connected to outlet only when attended by operating personnel.

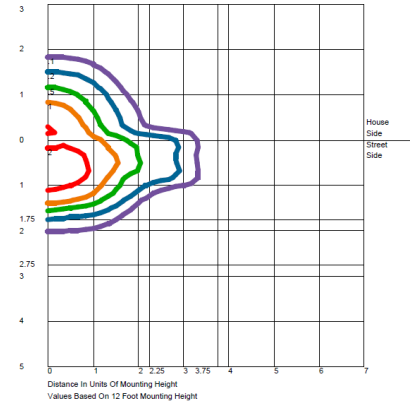
REC4 does not incorporate GFCI (Ground Fault Circuit Interrupter) protection, and shall be powered by a GFCI protected branch circuit (by others).

R1 Optics / 19W LED / 3000K CCT

Catalog #: U4-R1-XX-XX-5G350-30-XX-UNV
 Delivered Lumens: 2012lm
 Input Watts: 19W
 Efficacy: 107 lm/W
 CCT: 3000K
 CRI (Ra): >80
 Maximum candela of 1057 at 55° from vertical.
 IES classification: Type II
 Mounting Height: 12' (3.6 m)
 BUG Rating: B1-U0-G1
 Power Factor: 0.977
 Total Harmonic Distortion: 10.5%

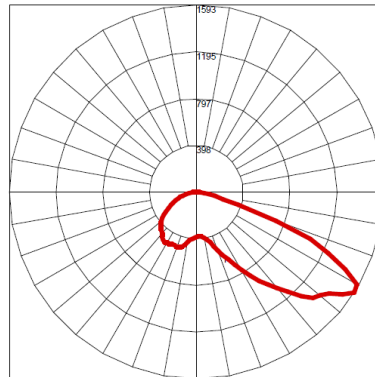


Maximum Candela = 1057.1 Located At Horizontal Angle = 67.5, Vertical Angle = 55
 # 1 - Vertical Plane Through Horizontal Angles (67.5 - 247.5) (Through Max. Cd.)

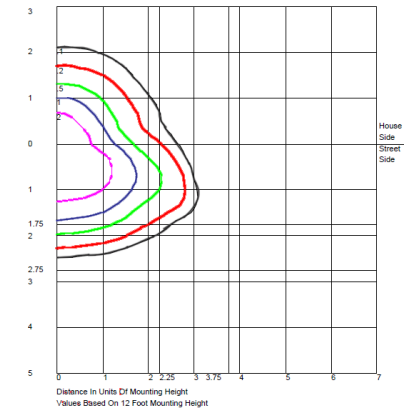


R2 Optics / 19W LED / 3000K CCT

Catalog #: U4-R2-XX-XX-5G350-30-XX-UNV
 Delivered Lumens: 2031lm
 Input Watts: 19W
 Efficacy: 108 lm/W
 CCT: 3000K
 CRI (Ra): >80
 Maximum candela of 1593 at 57.5° from vertical.
 IES classification: Type III
 Mounting Height: 12' (3.6 m)
 BUG Rating: B1-U0-G1
 Power Factor: 0.977
 Total Harmonic Distortion: 10.5%

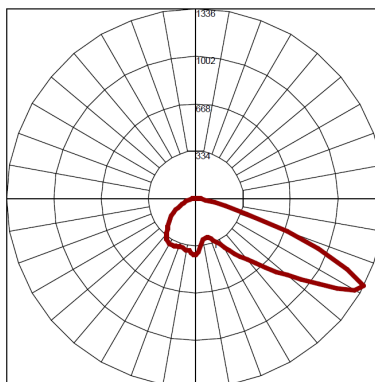


Maximum Candela = 1593.494 Located At Horizontal Angle = 55, Vertical Angle = 57.5
 # 1 - Vertical Plane Through Horizontal Angles (55 - 235) (Through Max. Cd.)

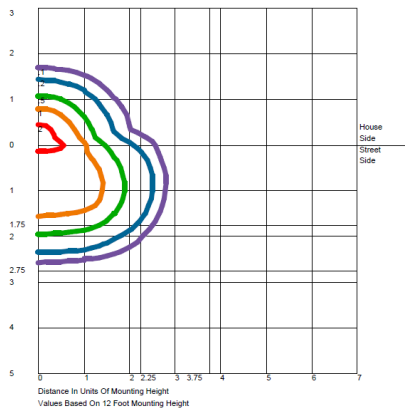


R3 Optics / 19W LED / 3000K CCT

Catalog #: U4-R3-XX-XX-5G350-30-XX-UNV
 Delivered Lumens: 2002lm
 Input Watts: 19W
 Efficacy: 106 lm/W
 CCT: 3000K
 CRI (Ra): >80
 Maximum candela of 1336 at 62.5° from vertical.
 IES classification: Type III
 Mounting Height: 12' (3.6 m)
 BUG Rating: B1-U0-G1
 Power Factor: 0.977
 Total Harmonic Distortion: 10.5%

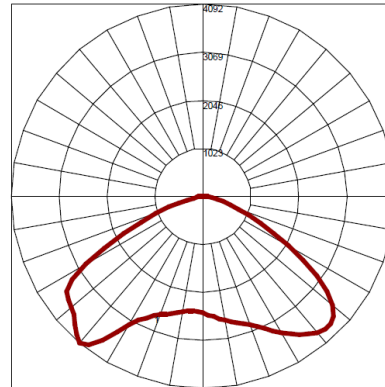


Maximum Candela = 1336 Located At Horizontal Angle = 45, Vertical Angle = 62.5
 # 1 - Vertical Plane Through Horizontal Angles (45 - 225) (Through Max. Cd.)

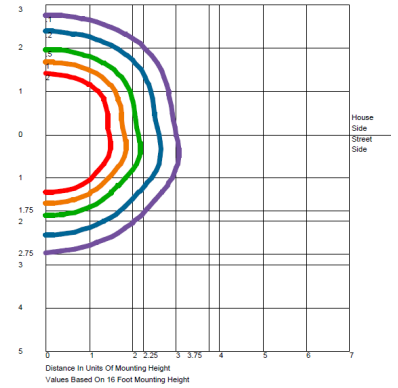


R3W Optics / 126W LED / 3000K CCT

Catalog #: U4-R3W-5G350-30-XX-UNV
 Delivered Lumens: 12036lm
 Input Watts: 126W
 Efficacy: 96 lm/W
 CCT: 3000K
 CRI (Ra): >80
 Maximum candela of 4092 at 40° from vertical.
 IES classification: Type VS
 Mounting Height: 16' (4.9 m)
 BUG Rating: B3-U0-G1
 Power Factor: 0.990
 Total Harmonic Distortion: 10.5%



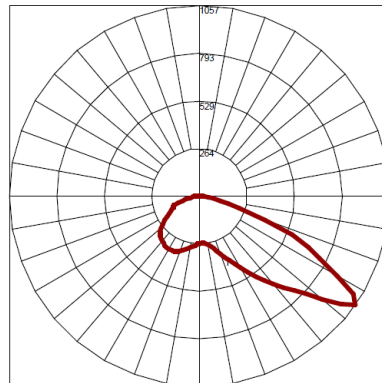
Maximum Candela = 4092.393. Located At Horizontal Angle = 125, Vertical Angle = 40
 # 1 - Vertical Plane Through Horizontal Angles (125 - 305) (Through Max. Cd.)



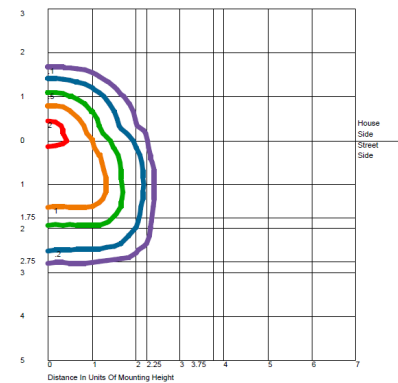
Distance In Units Of Mounting Height
 Values Based On 16 Foot Mounting Height

R4 Optics / 19W LED / 3000K CCT

Catalog #: U4-R4-XX-XX-5G350-30-XX-UNV
 Delivered Lumens: 1955lm
 Input Watts: 19W
 Efficacy: 104 lm/W
 CCT: 3000K
 CRI (Ra): >80
 Maximum candela of 1320 at 62.5° from vertical.
 IES classification: Type III
 Mounting Height: 12' (3.6 m)
 BUG Rating: B1-U0-G0
 Power Factor: 0.977
 Total Harmonic Distortion: 10.5%



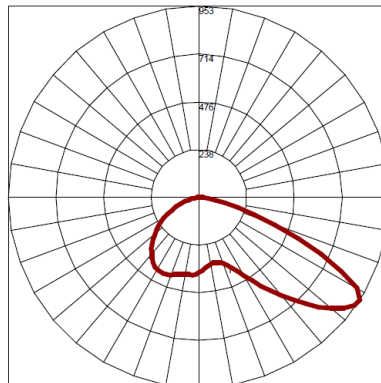
Maximum Candela = 1057.1. Located At Horizontal Angle = 67.5, Vertical Angle = 55
 # 1 - Vertical Plane Through Horizontal Angles (67.5 - 247.5) (Through Max. Cd.)



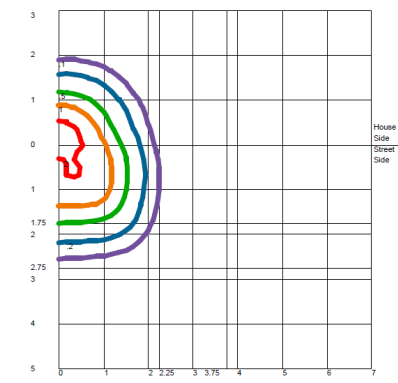
Distance In Units Of Mounting Height
 Values Based On 12 Foot Mounting Height

PP Optics / 19W LED / 3000K CCT

Catalog #: U4-PP-XX-XX-5G350-30-XX-UNV
 Delivered Lumens: 1835lm
 Input Watts: 19W
 Efficacy: 98 lm/W
 CCT: 3000K
 CRI (Ra): >80
 Maximum candela of 952 at 57.5° from vertical.
 IES classification: Type III
 Mounting Height: 12' (3.6 m)
 BUG Rating: B1-U0-G1
 Power Factor: 0.978
 Total Harmonic Distortion: 10.5%



Maximum Candela = 952.6. Located At Horizontal Angle = 35, Vertical Angle = 57.5
 # 1 - Vertical Plane Through Horizontal Angles (35 - 215) (Through Max. Cd.)



Distance In Units Of Mounting Height
 Values Based On 12 Foot Mounting Height

***Complete photometric matrix is available for download from website along with all House Shield photometry.**