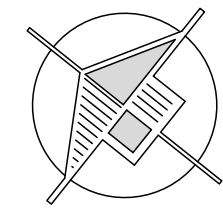


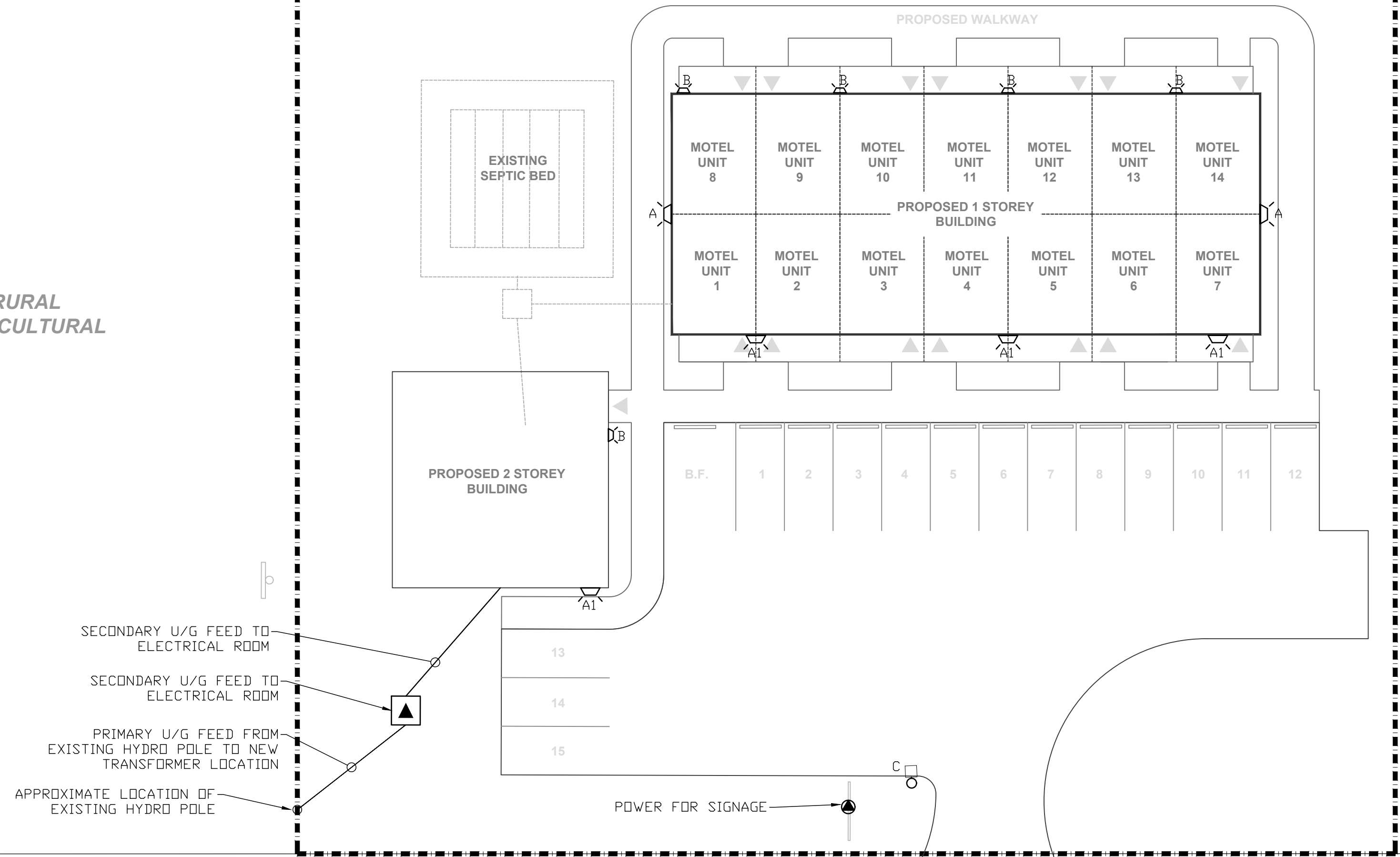
LEGEND	
	PRIMARY FEED
	SECONDARY FEED
	PAD MOUNTED TRANSFORMER

RURAL AGRICULTURAL



RURAL AGRICULTURAL

RURAL AGRICULTURAL



1 ELECTRICAL SITE PLAN
SCALE: 1:200



2 KEY PLAN
SCALE: 1:10000

NOT FOR CONSTRUCTION

Rev.	Date	Description	By	App.
-	-	-	-	-
P1	23/02/09	RE-ISSUED FOR REVIEW	PGB	-
P0	23/01/23	ISSUED FOR REVIEW	PGB	-

BERTHELOT ENGINEERING LTD
2193 Lynhaven Rd., Peterborough, ON. K9K 1W8
Tel: (705) 775-1517
Email: pberthelot@bertheloteng.com

DWN.	T. ST. JEAN
CHK.	P. BERTHELOT
DSN.	PGB/TMS
SCALE:	AS NOTED

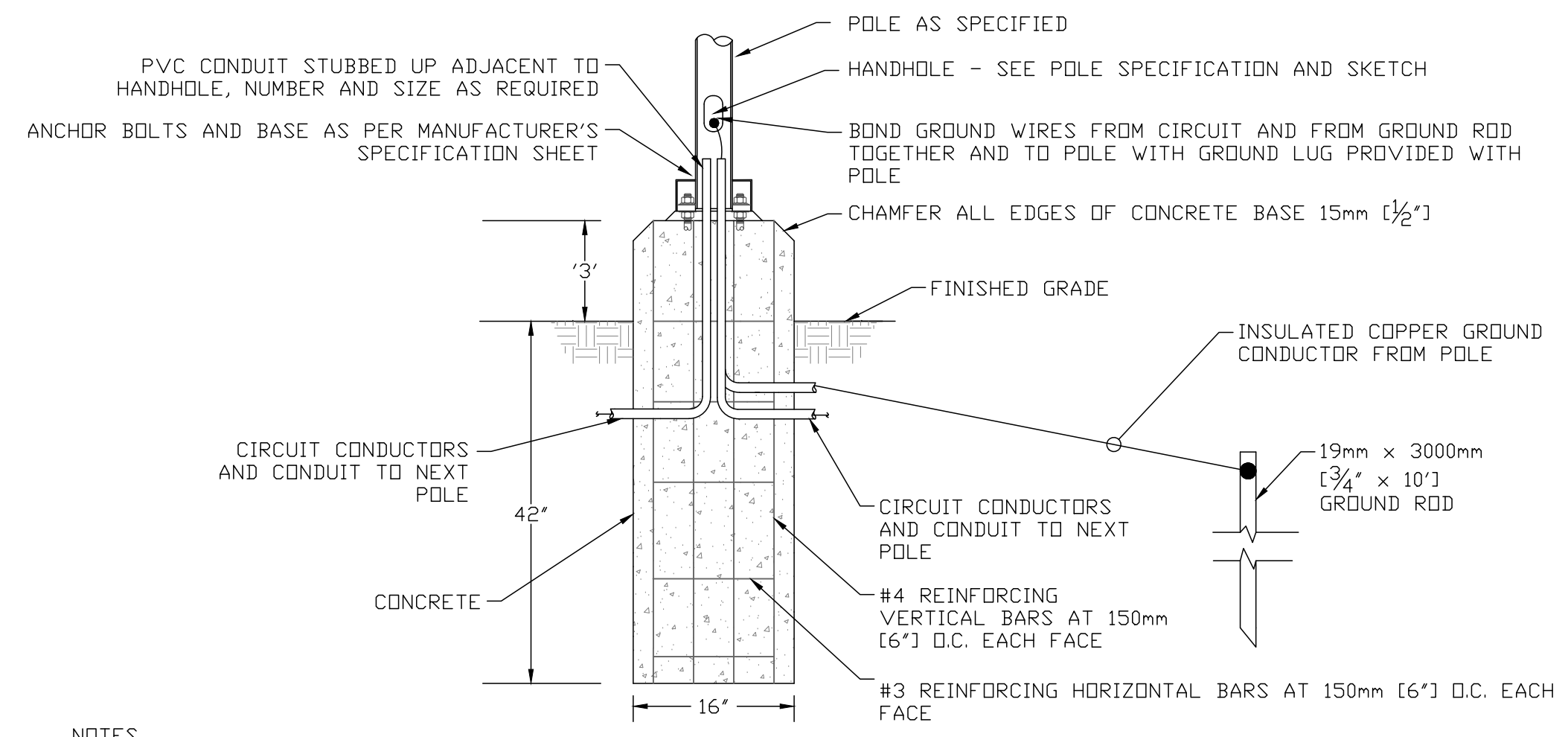
PRELIMINARY
Feb. 9, 23

PROJECT: **OUTERBANKS MOTEL FRASER YOUNG**
Part of Lot 4, Concession of East Lake Township of Athol, Prince Edward County, Ontario

TITLE: **PROPOSED EXTERIOR LIGHTING PLAN (A)**

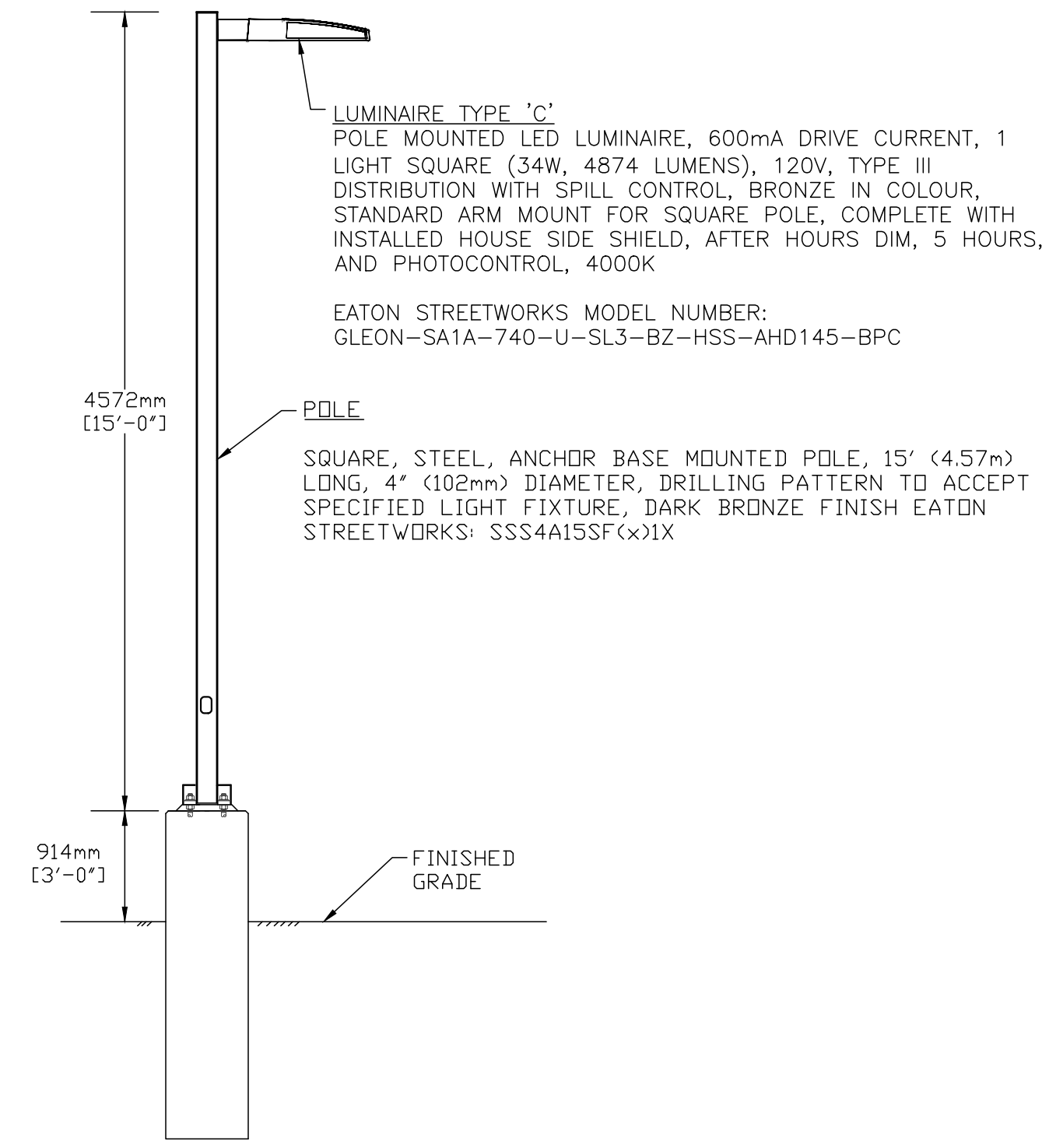
FILE No.	DWG. No.
562	SPCA-7A

LIGHTING SCHEDULE			
SYMBOL	MODEL NUMBER	MANUFACTURER	DESCRIPTION
A	GAW-SA1A-740-U-SL2-BZ-AHD145-BPC	EATON-INVUE	WALL MOUNTED LED LUMINAIRE, 600mA DRIVE CURRENT, 1 LIGHT SQUARE (34W, 4883 LUMENS), 120V, TYPE II DISTRIBUTION WITH SPILL CONTROL, BRONZE IN COLOUR, 4000K, COMPLETE WITH AFTER HOURS DIM, 5 HOURS, PHOTOCONTROL
A1	GAW-SA1A-740-T4FT-WM-BZ-AHD145-BPC	EATON-INVUE	WALL MOUNTED LED LUMINAIRE, 600mA DRIVE CURRENT, 1 LIGHT SQUARE (34W, 5008 LUMENS), 120V, TYPE IV FORWARD THROW DISTRIBUTION WITH SPILL CONTROL, BRONZE IN COLOUR, 4000K, COMPLETE WITH AFTER HOURS DIM, 5 HOURS, PHOTOCONTROL
C	XTOR1B-W-PC1	COOPER LIGHTING - LUMARK	WALL MOUNTED LED FIXTURE, 1396 LUMENS, 12W, 120V, 4000K, FULL CUTOFF & DARK SKY COMPLIANT, BRONZE IN COLOUR C/W BUTTON TYPE PHOTOCONTROL

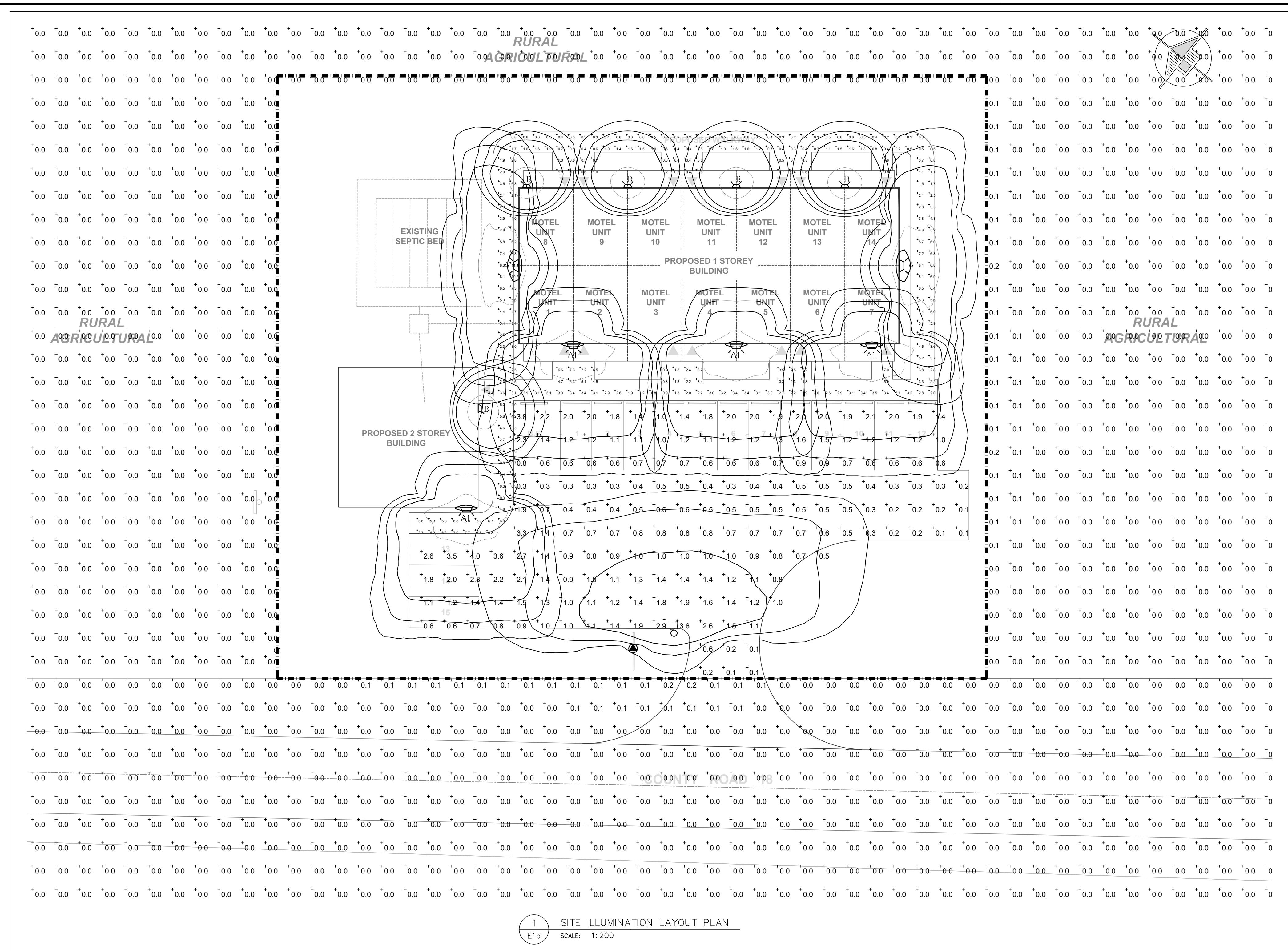


- NOTES
1. CONCRETE IN POLE BASES SHALL BE VIBRATED.
 2. REINFORCING RODS SHALL BE COVERED BY A MINIMUM OF 3" CONCRETE.
 4. A MINIMUM OF TWO CONDUITS SHALL BE INSTALLED FOR EACH CONCRETE BASE, UNLESS OTHERWISE SHOWN.
 5. CONTRACTOR TO OBTAIN MANUFACTURER DETAILS FOR POLE AND CONFIRM POLE BASE PLATE OPENING DIAMETER, AND BOLT CIRCLE DIAMETER AND BASE DIMENSIONS SIZE, PRIOR TO INSTALLING CONDUIT SLEEVES.
 7. BASE SHALL NOT BE BLOCKED OR GROUTED TO ENSURE PROPER DRAINAGE.

4 POLE BASE DETAIL
SCALE: N.T.S.



3 LUMINAIRE TYPE 'C' ASSEMBLY
SCALE: N.T.S.



1 SITE ILLUMINATION LAYOUT PLAN
E1a SCALE: 1:200



2 KEY PLAN
E1a SCALE: 1:10000

LIGHTING CALCULATION RESULTS

PARKING LOT
 AVERAGE: = 1.1 fc
 MAXIMUM: = 4.0 fc
 MINIMUM: = 0.1 fc
 MAX/MIN: = 40:01
 AVG/MIN = 11:01

SIDEWALK
 AVERAGE: = 2.7 fc
 MAXIMUM: = 11.1 fc
 MINIMUM: = 0.1 fc
 MAX/MIN: = 111:01
 AVG/MIN = 27:01

SPILL
 AVERAGE: = 0.0 fc
 MAXIMUM: = 0.2 fc
 MINIMUM: = 0.0 fc
 MAX/MIN: = N/A
 AVG/MIN = N/A

LEGEND	
	PROPOSED WALL MOUNTED LED LUMINAIRE
	PROPOSED WALL MOUNTED LED LUMINAIRE
	PROPOSED WALL MOUNTED LED LUMINAIRE
	PROPOSED POLE MOUNTED LED LUMINAIRE

NOT FOR CONSTRUCTION

Rev.	Date	Description	By	App.
P1	23/02/09	RE-ISSUED FOR REVIEW	PGB	-
P0	23/01/23	ISSUED FOR REVIEW	PGB	-

BERTHELOT ENGINEERING LTD
 2193 Lynhaven Rd., Peterborough, ON, K9K 1W8
 Tel: (705) 775-1517
 Email: pberthelot@bertheloteng.com

DWN.	T. ST. JEAN
CHK.	P. BERTHELOT
DSN.	PGB/TMS
SCALE:	AS NOTED

PRELIMINARY
 Feb. 9, 23

PROJECT: **OUTERBANKS MOTEL FRASER YOUNG**
 Part of Lot 4, Concession of East Lake
 Township of Athol, Prince Edward County, Ontario

TITLE: **PROPOSED EXTERIOR LIGHTING PLAN (B)**

FILE No. 562 DWG. No. **SPCA-7B**