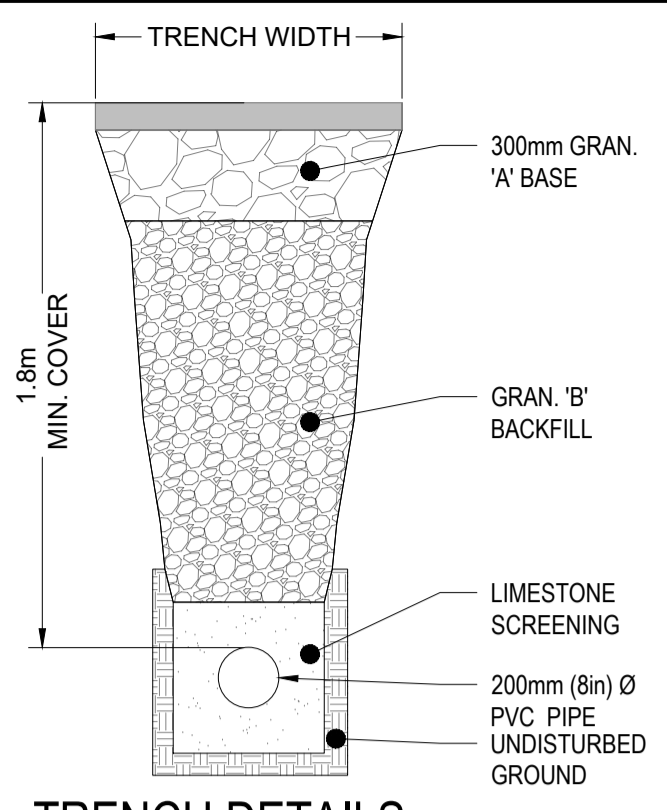
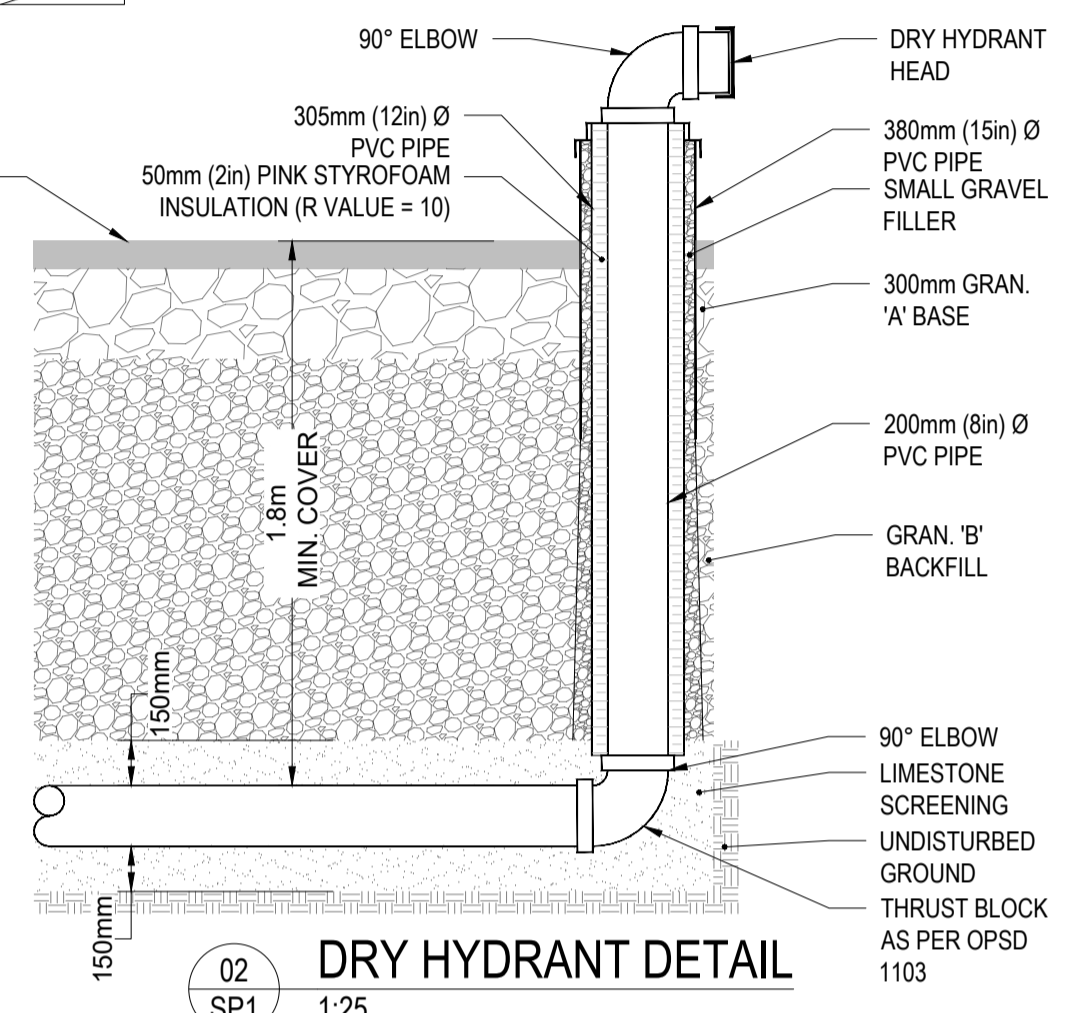


- NOTES:
1. ALL WORK SHALL BE IN ACCORDANCE WITH RELEVANT CODES AND GUIDELINES.
 2. ALL DRAWINGS AND ADDENDA ARE TO BE READ AS, AND IN CONJUNCTION WITH THE SPECIFICATIONS.
 3. ALL EQUIPMENT SHALL BE INSTALLED AS SPECIFIED OR APPROVED EQUIVALENT.
 4. CONTRACTOR MUST CHECK AND VERIFY ALL DIMENSIONS BEFORE PROCEEDING WITH WORK AND BE RESPONSIBLE FOR SAME.
 5. CONTRACTOR MUST REPORT ANY DISCREPANCIES TO ENGINEER FOR RESOLUTION BEFORE COMMENCING THE WORK.
 6. ANY CHANGES MUST BE APPROVED BY THE ENGINEER.

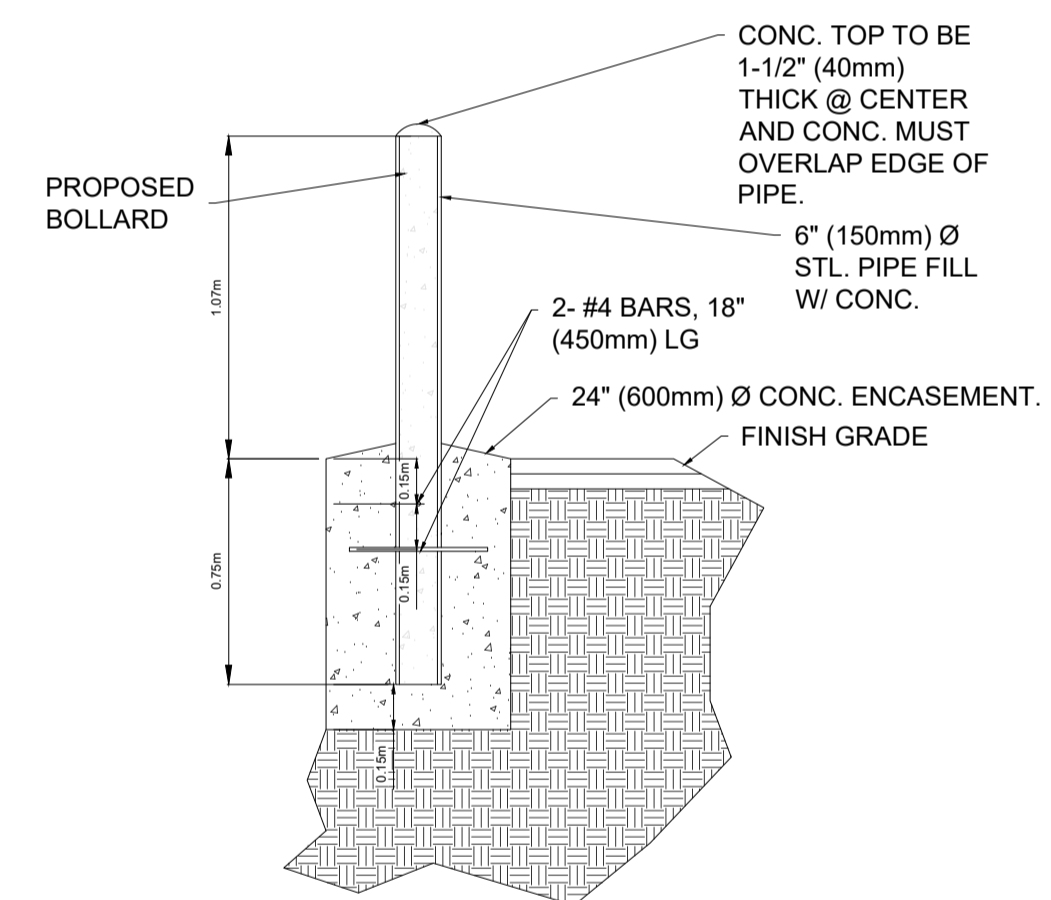
| | | |
|---|---|------------------------------|
| A | A | DETAIL NO. |
| B | B | DRAWING NO. - WHERE DETAILED |



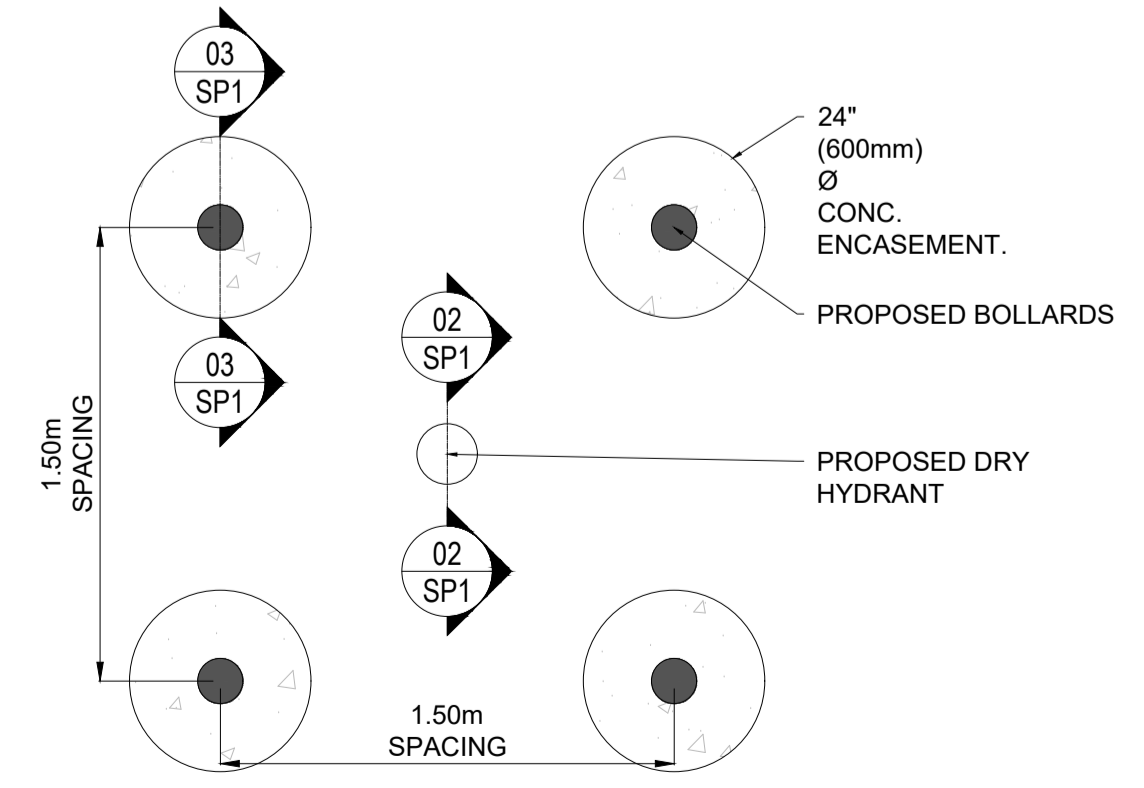
01 SP1 TRENCH DETAILS 1:25



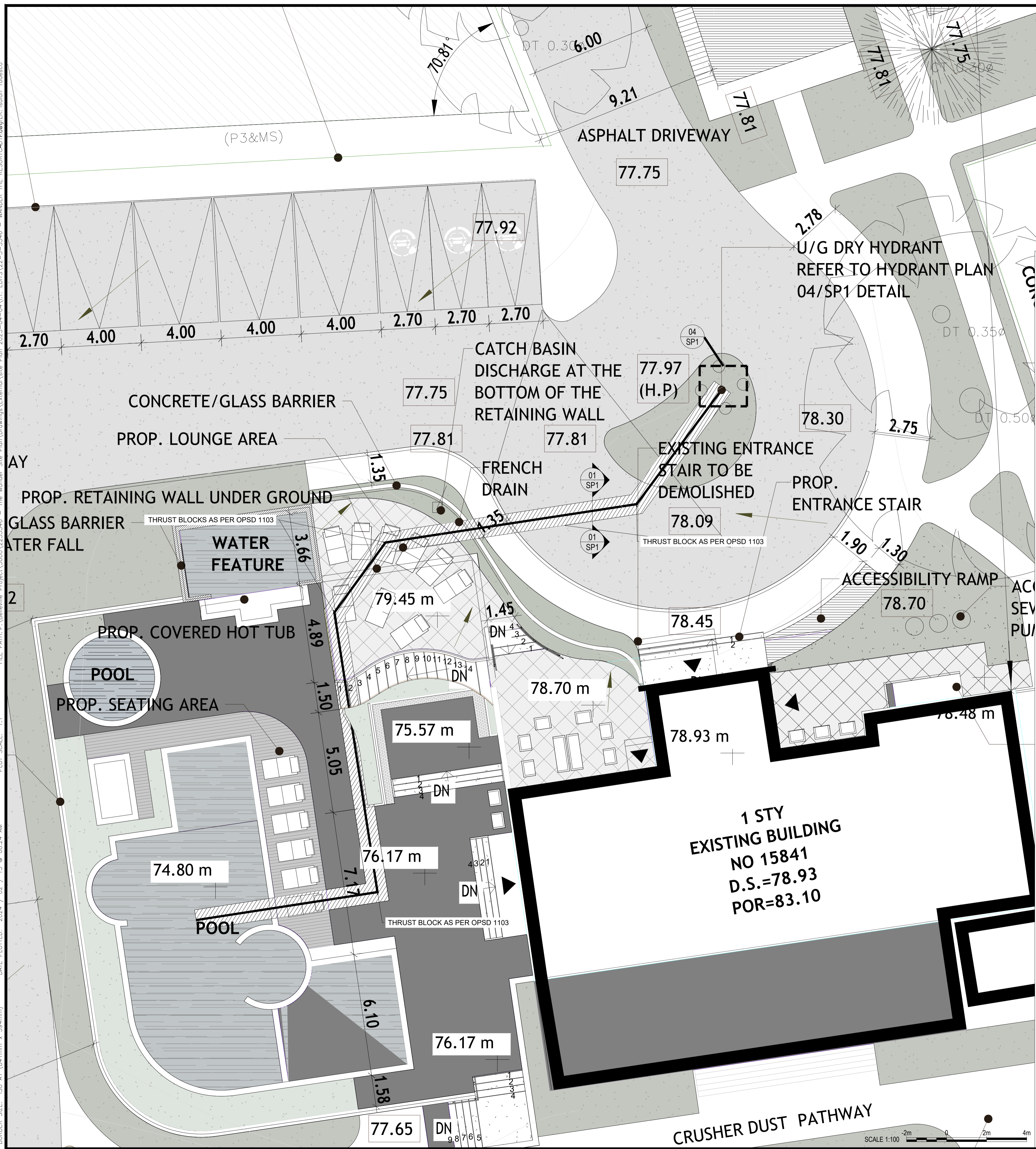
02 SP1 DRY HYDRANT DETAIL 1:25



03 SP1 BOLLARD CROSS SECTION 1:25



04 SP1 BOLLARDS - PLAN VIEW 1:25



SCALE 1:100

FILE PATH: P:\Belleville Project\5000\2235546 - The Wander Site Plan\Drawings\External\Site Plan_2023-04-04\1.T. EDITS\22-3-5546 - WANDER THE RESORTCAD DWG.DWG; ISOLAH.TODESCO
 DATE PLOTTED: 2024 / 02 / 13 @ 08:24 AM
 PLOT SCALE: 1:1
 BORDER SIZE: ISO A1 (841mm x 594mm)

| | | |
|----|--------------------------|----------|
| 02 | SITE PLAN UPDATE | 23/12/19 |
| 01 | UPDATED DRY HYDRANT PATH | 23/11/08 |

| REVISION | DESCRIPTION | DATE |
|----------|-------------|------|
| | | |

| | |
|-------------------------------------|--------------------------------|
| PROJECT | |
| THE WANDER SITE PLAN SEPTIC | |
| 15841 LOYALIST PKWY, BLOOMFIELD, ON | |
| DRAWING TITLE | |
| SITE PLAN - DRY HYDRANT TRENCH | |
| DESIGNED BY | G.G./I.T. |
| DRAWN BY | I. TODESCO |
| REVIEWED BY | P. ZANDBERGEN |
| APPROVED BY | P. ZANDBERGEN |
| PROJECT DATE | 2023/06/14 (YYYY/MM/DD) |
| PROJECT # | 22-3-5546 |
| DRAWING # | SP1 |
| DRAWING SCALE (ISO A1) | HOR: AS NOTED VER: AS NOTED |

(METRIC SCALE - ALL DIMS IN METERS U.N.O.)