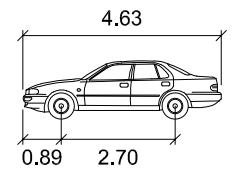
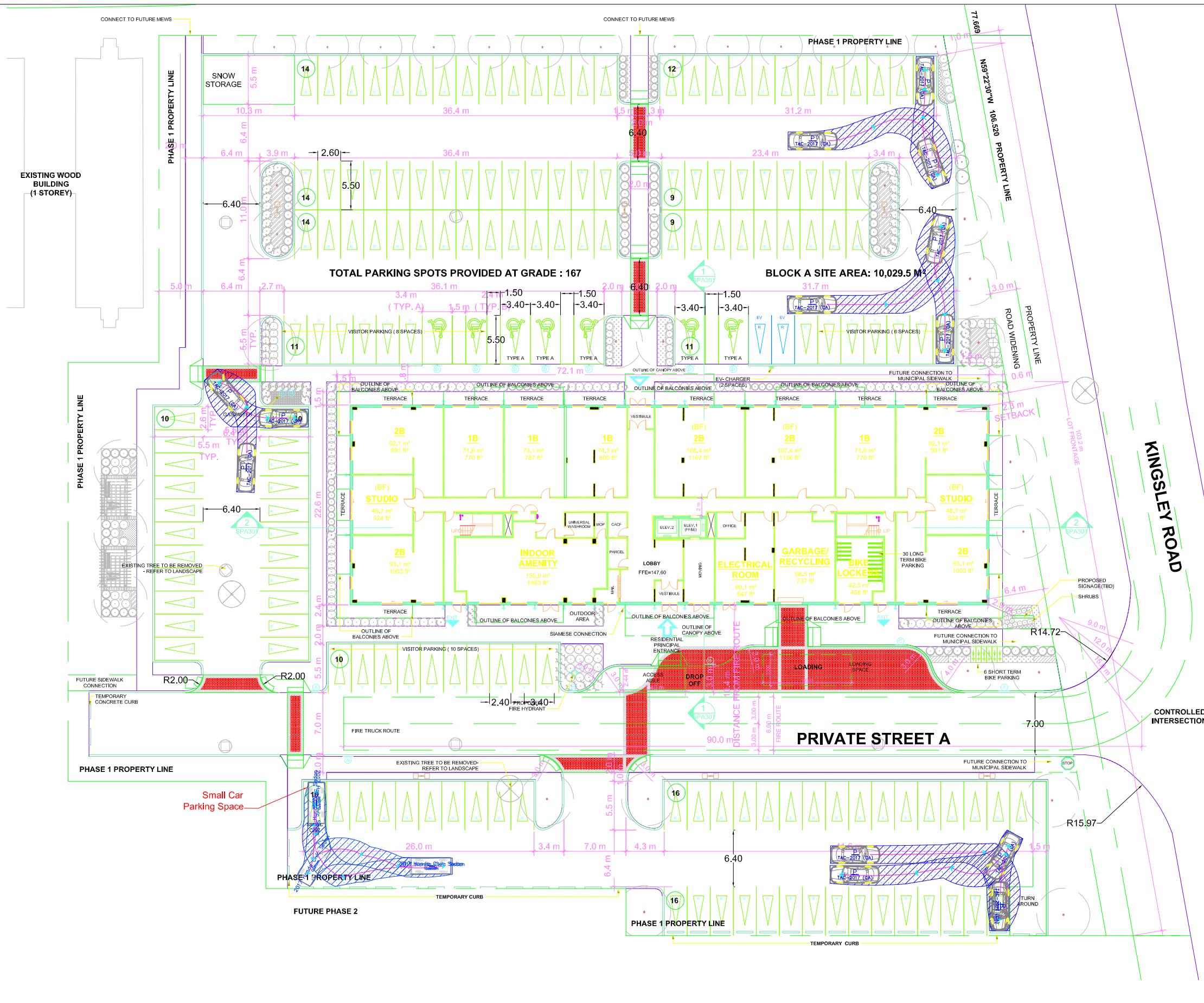
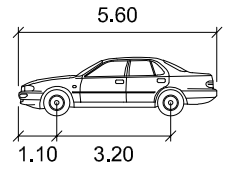


C:\Projects\2024\100xxx - TRAFFIC - Picton Rockport Rental A03 Analysis\03 Site Review & Circulation\20250207



**2017 Honda Civic Sedan**

	width	: 1.83	meters
	Track	: 1.56	
	Lock to Lock Time	: 6.0	
	Steering Angle	: 32.4	



**P**

	width	: 2.00	meters
	Track	: 2.00	
	Lock to Lock Time	: 6.0	
	Steering Angle	: 35.9	



3381 Steeles Ave. East,  
Suite 315  
Toronto, ON  
M2H 3S6

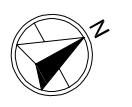
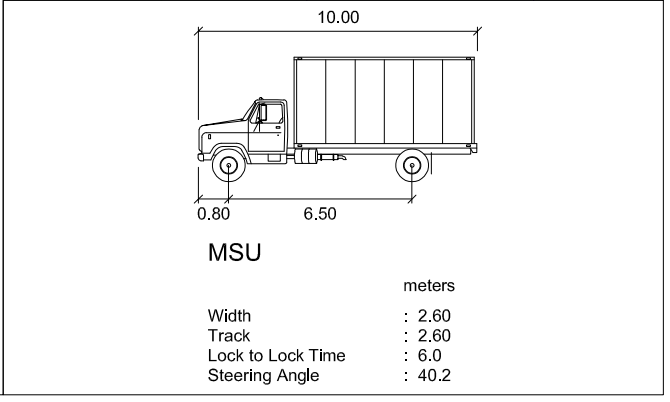
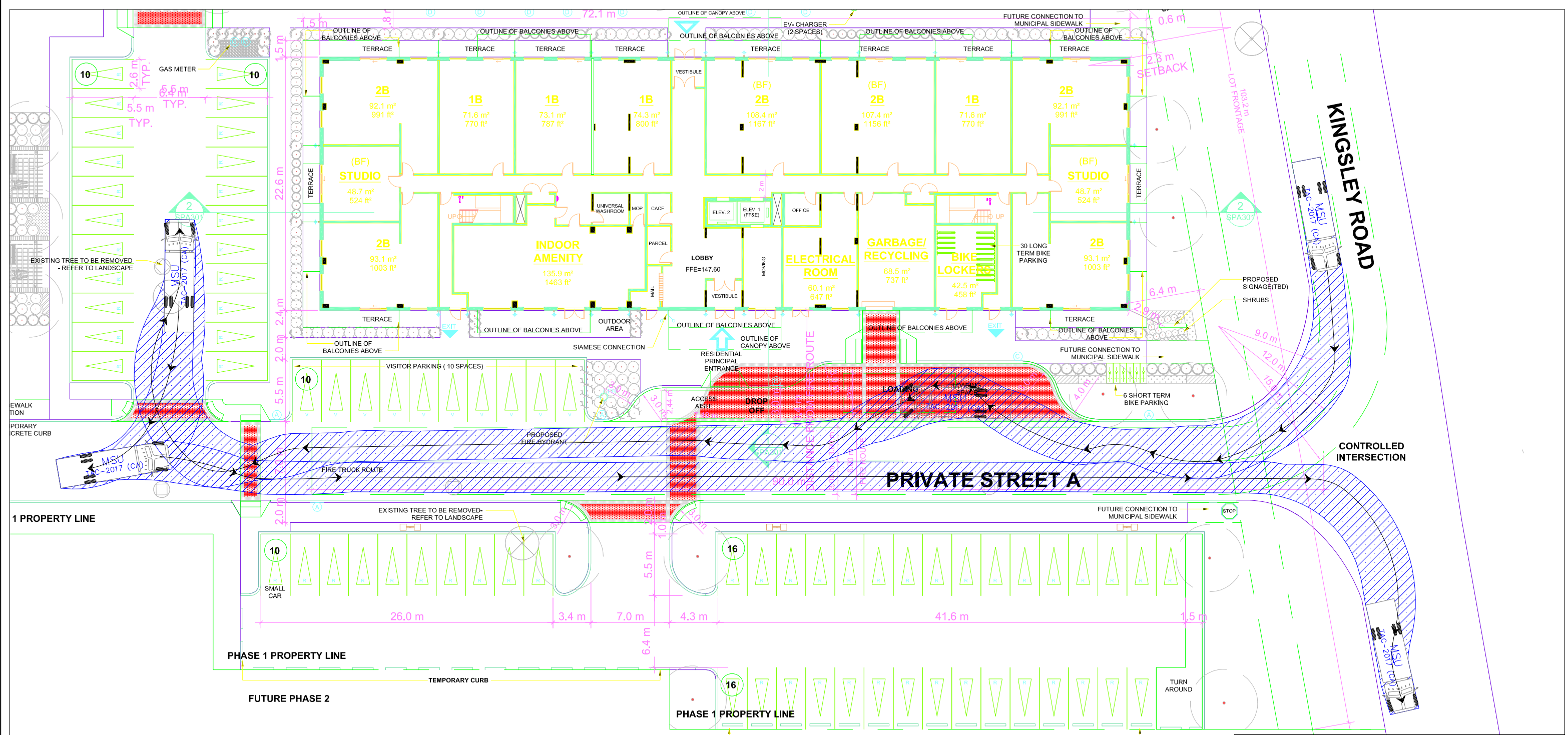
PICTON - RENTAL BUILDING A  
SITE PLAN REVIEW  
PASSENGER VEHICLE MANEUVER



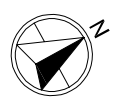
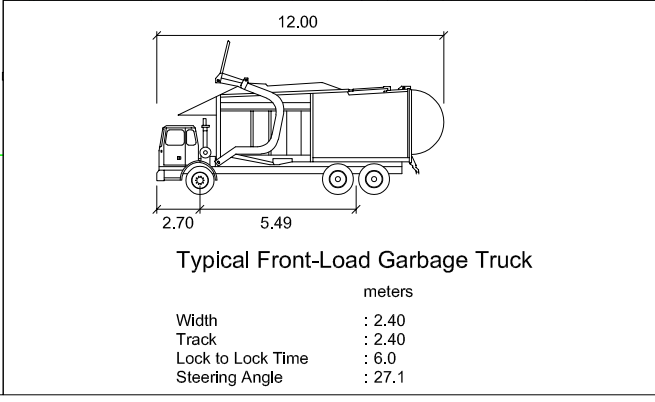
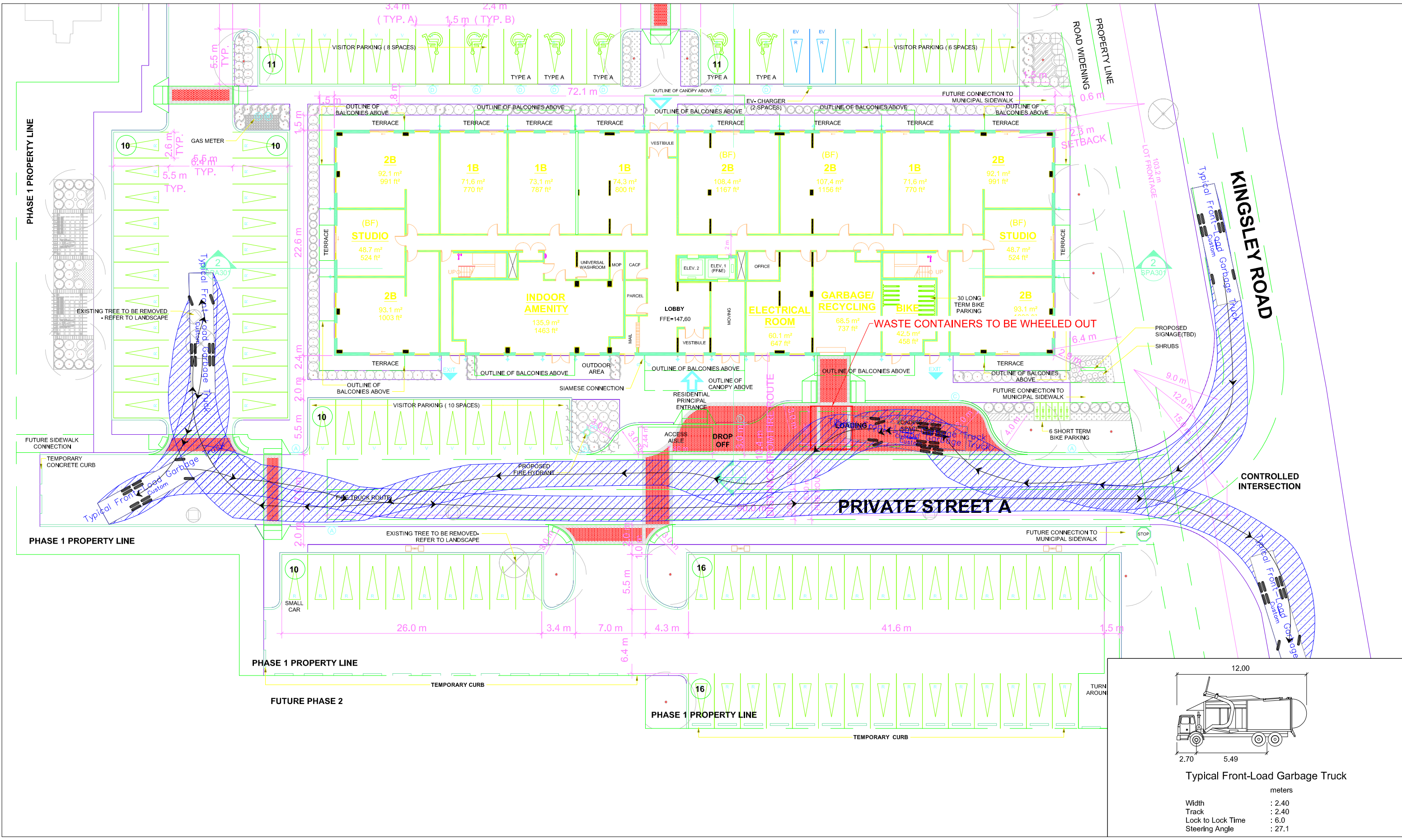
N.T.S.

DRAWING No.  
01  
DATE  
FEB 2025

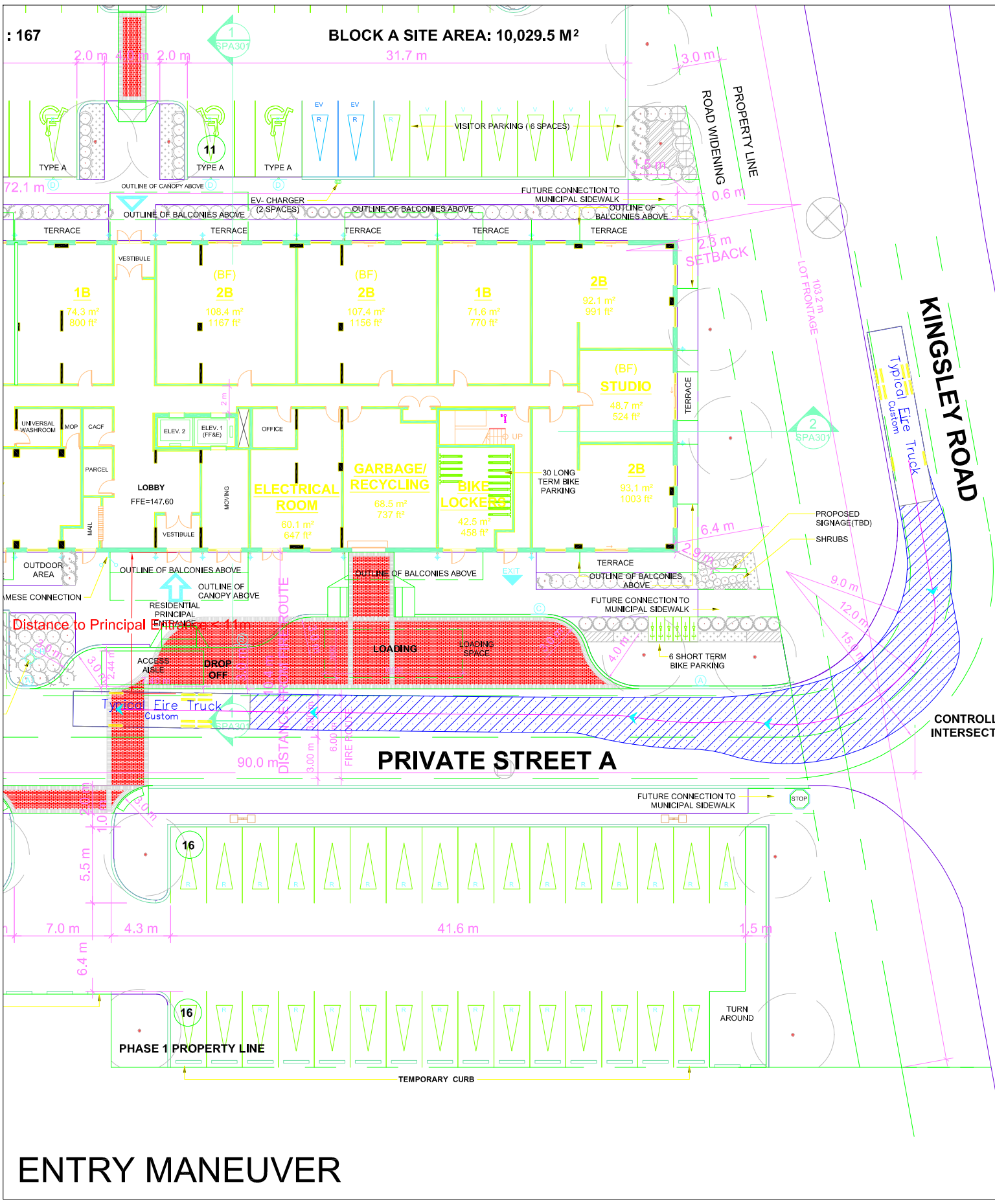
C:\Projects\2024\100xxx - TRAFFIC - Picton Rockport Rental A03 Analysis\03 Site Review & Circulation\20250207



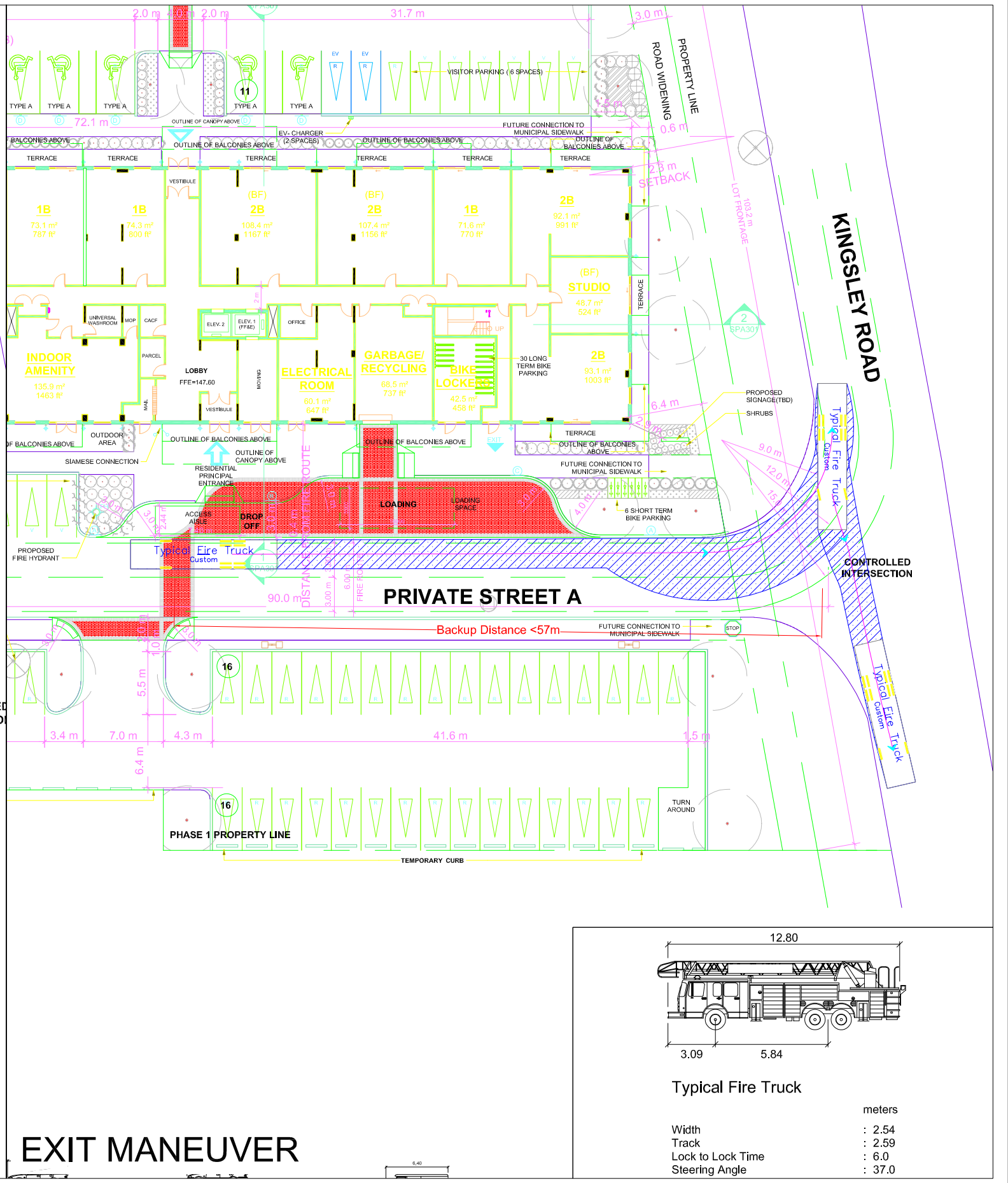
C:\Projects\2024\100xxx - TRAFFIC - Picton Rockport Rental A03 Analysis\03 Site Review & Circulation\20250207



C:\Projects\2024\100xxx - TRAFFIC - Picton Rockport Rental A03 Analysis\03 Site Review & Circulation\20250207



### ENTRY MANEUVER



### EXIT MANEUVER

