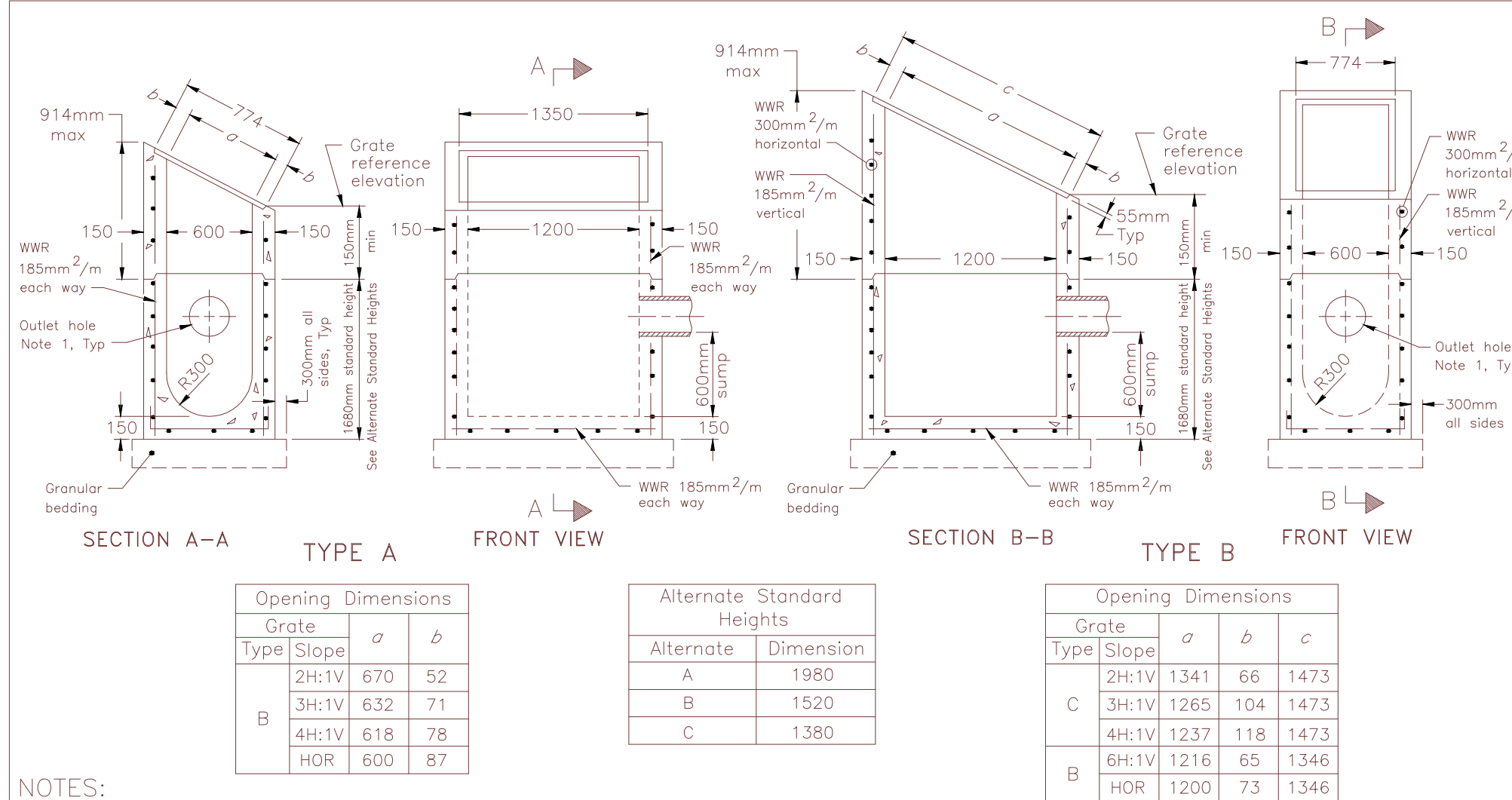
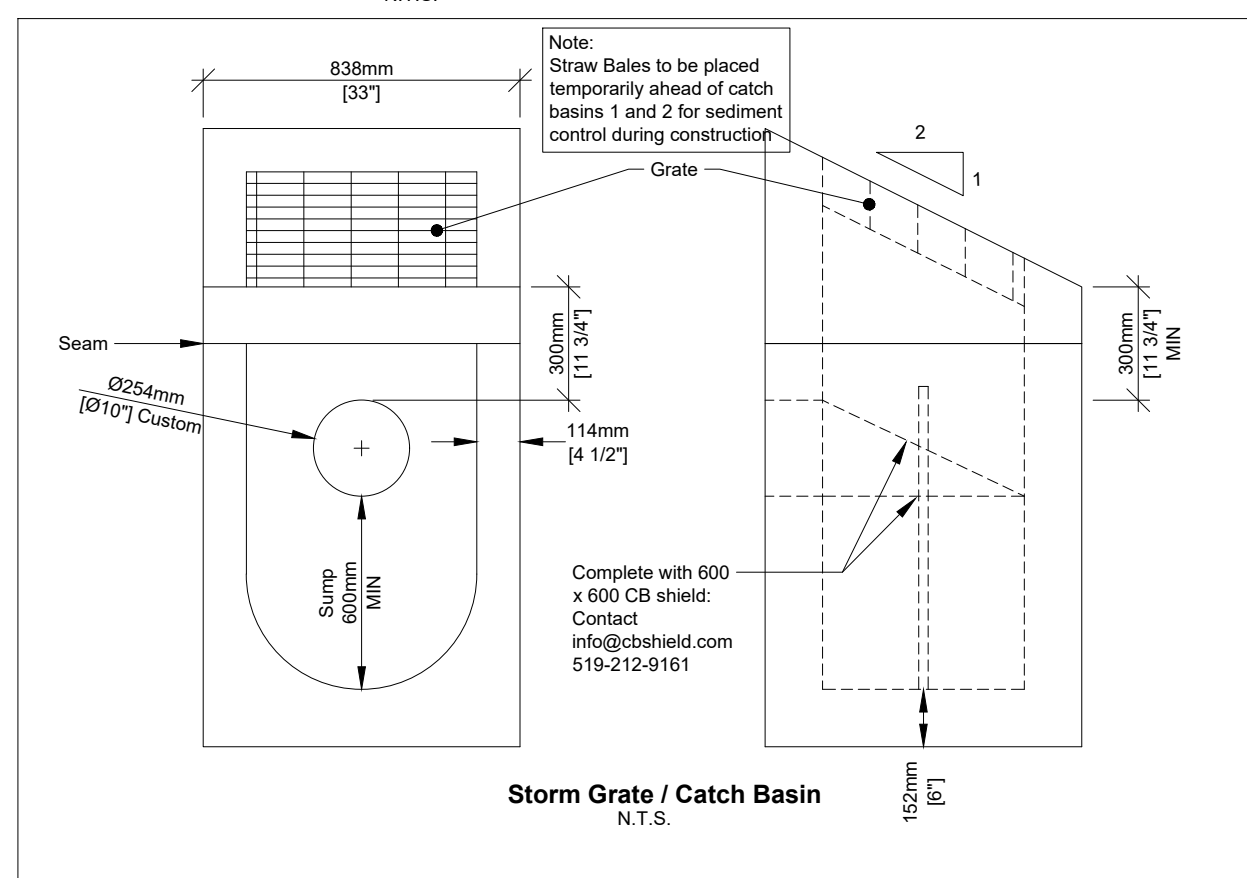
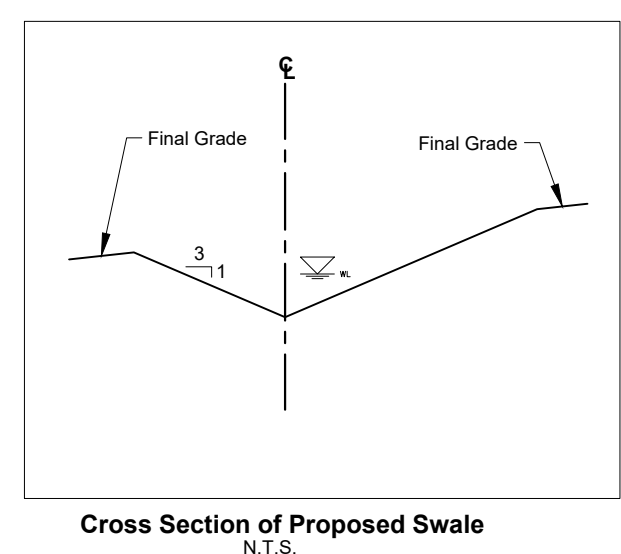
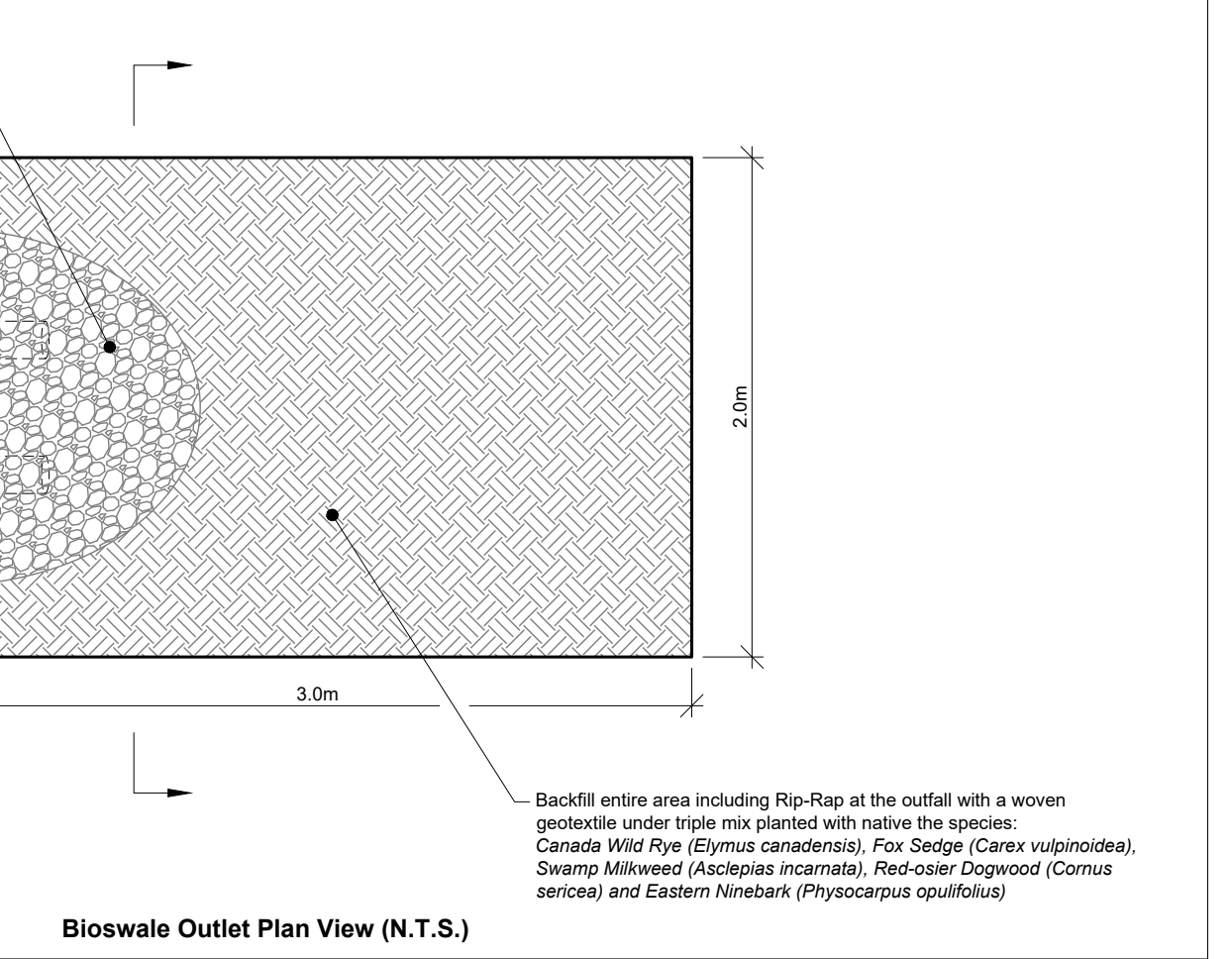
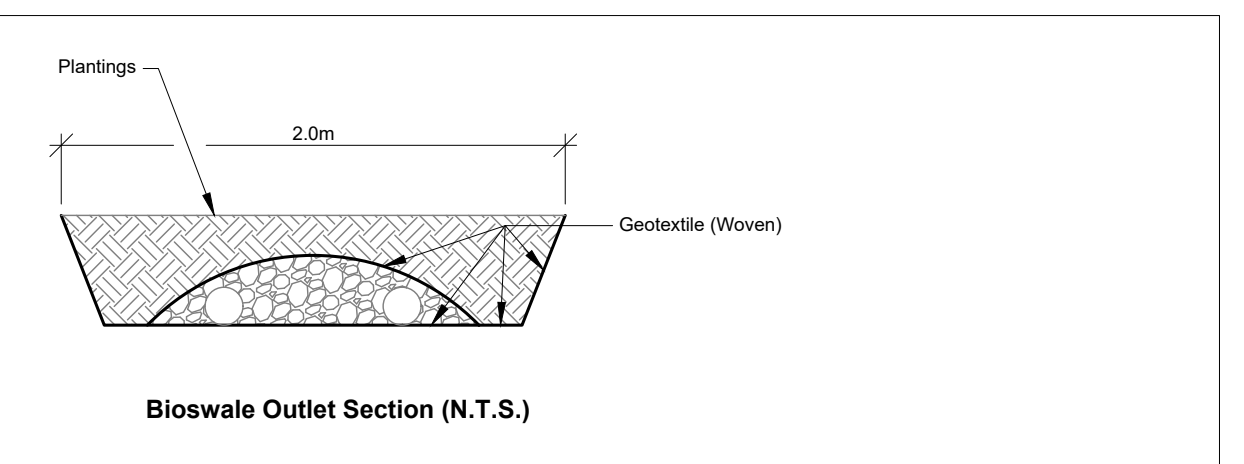


*Storm Pipe Note:
 Proposed swales to discharge into 250 mm Ø storm pipe through surface grate connection OPSD 705.040



NOTES:
 1. Outlet hole size 525mm max diameter.
 A. Where inlet is placed across ditch and is accessible to vehicular traffic, grating slope shall be 6H:1V or flatter.
 B. Center reinforcing in wall and base slab ±25mm.
 C. Lap riser horizontal wires 300mm. Laps shall be placed at corners.
 D. Granular backfill shall be placed to a minimum thickness of 300mm all around the ditch inlet.
 E. Grating shall be according to OPSD 403.010.
 F. Pipe support shall be according to OPSD 708.020.
 G. All dimensions are nominal.
 H. All dimensions are in millimetres unless otherwise shown.

Rev. No.	Date	Description	CAD
Rev. 1	11-FEB-2022	Storm drainage updates from review comments	JR
Rev. 2	30-AUG-2023	Revised Right of Way	JR
Rev. 3	30-OCT-2023	Revised Right of Way (Cottages)	JR
Rev. 4	17-JUN-2024	Revised Right of Way (Cottages)	JR
Rev. 5	13-SEP-2024	New Site dimensions	JR
Rev. 6	24-FEB-2025	Sediment Control Address	JR
Rev. 7	11-APR-2025	PCC Comments Addressed	JR
Rev. 8	12-JUN-2025	Update Drainage Area	JR

Engineer's Stamp:

**Bloom Resorts Sandbanks
 37 - 38 Lake Avenue Lane
 Cherry Valley, Prince Edward County**

Proposed Stormwater Drainage Works

Scale: 1:200	Designed By: EG
Date: 21-JUN-2021	Drawn By: JR
Project No.:	Checked By: BC
	Drawing No.:

D2429 SPCA-5

ONTARIO PROVINCIAL STANDARD DRAWING
 PRECAST CONCRETE DITCH INLETS
 600 x 1200mm
 Nov 2019 Rev 4
 OPSD 705.040