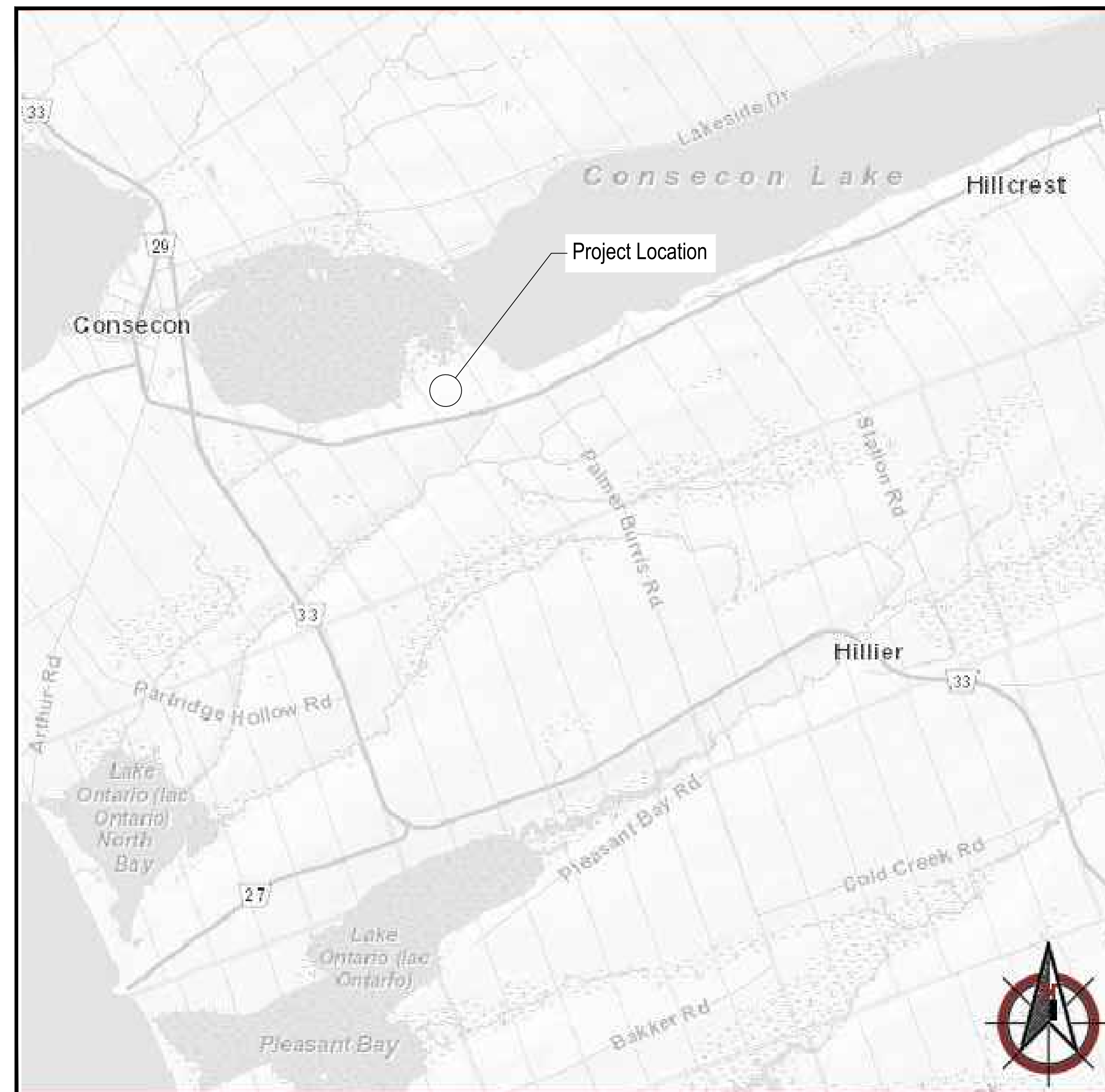


5738 County Road 1

Site Plan Development



LIST OF DRAWINGS

- C0 COVER
- C1 SITE PLAN
- C2 GRADING PLAN
- D1 DETAILS
- D2 PROPOSED SEPTIC SYSTEM DETAILS



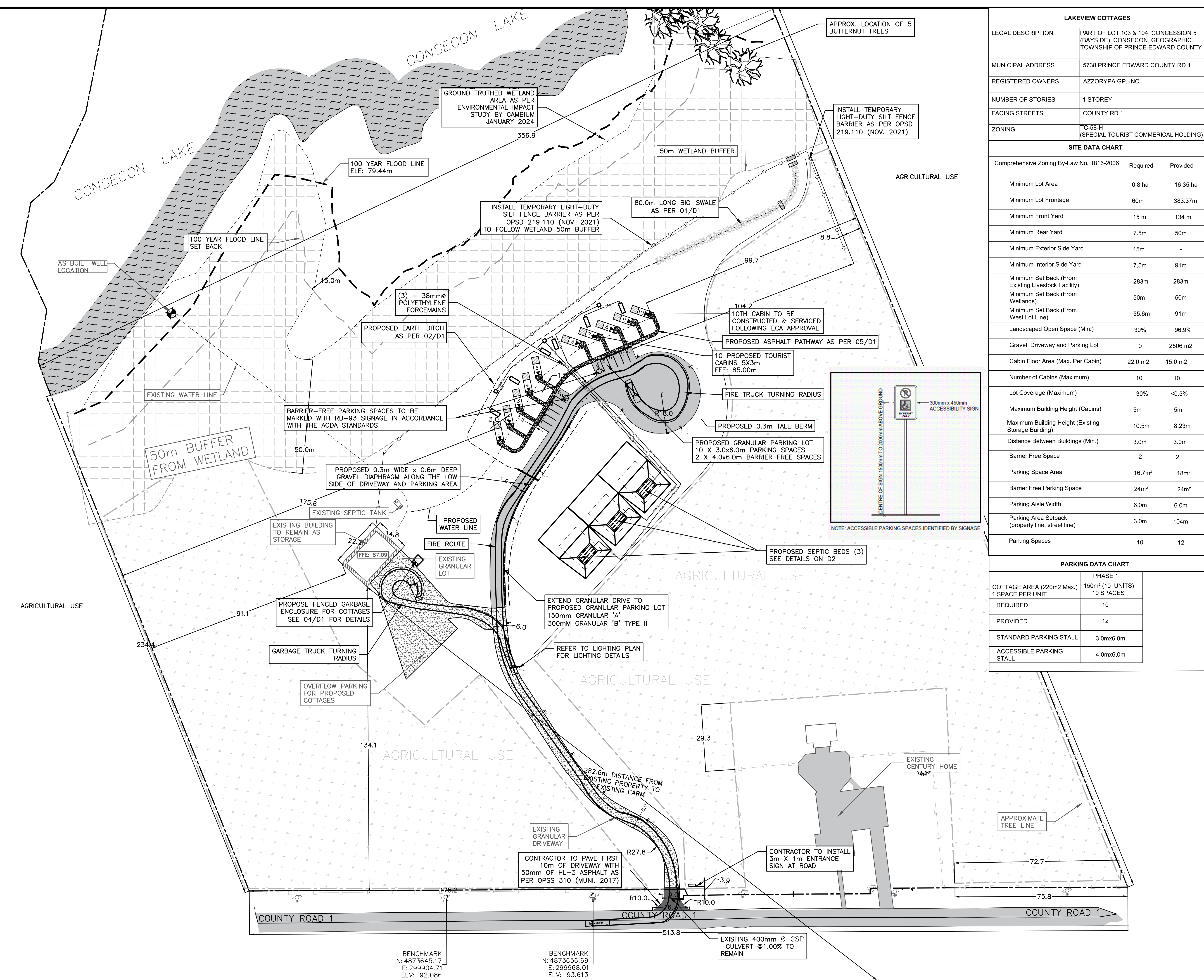
GREER GALLOWAY

a division of Jp2g Consultants Inc.

5738 County Road 1
Site Plan Development

Greer Galloway Project No. 25-5-175A

CAD OPERATOR: M. Laplante/brady
 CAD FILE: J:\5-Chm\2025\25-5175A - Elicott Realty - 5738 County Road 1\05 Drawings\1 Original\25-5175A - 5738 CR 1 - CURRENT.dwg
 PLOT SCALE: AS NOTED
 DATE PLOTTED: DD/MM/YYYY
 GGG-41



GREER GALLOWAY
 a division of Jp2g Consultants Inc.
 PETERBOROUGH
 KINGSTON
 640 CATARAQUI WOODS DRIVE #2A
 KINGSTON, ONTARIO, K7P 2Y5
 PHONE: 613-536-5420
 FAX: 613-548-3793

LAKEVIEW COTTAGES

LEGAL DESCRIPTION: PART OF LOT 103 & 104, CONCESSION 5 (BAYSIDE), CONSECON, GEOGRAPHIC TOWNSHIP OF PRINCE EDWARD COUNTY

MUNICIPAL ADDRESS: 5738 PRINCE EDWARD COUNTY RD 1

REGISTERED OWNERS: AZZORYPA GP. INC.

NUMBER OF STORIES: 1 STOREY

FACING STREETS: COUNTY RD 1

ZONING: TC-88-H (SPECIAL TOURIST COMMERCIAL HOLDING)

NOTES:

- ALL WORK SHALL BE IN ACCORDANCE WITH RELEVANT CODES AND GUIDELINES.
- ALL DRAWINGS AND ADDENDA ARE TO BE READ AS, AND IN CONJUNCTION WITH THE SPECIFICATIONS.
- ALL EQUIPMENT SHALL BE INSTALLED AS SPECIFIED OR APPROVED EQUIVALENT.
- CONTRACTOR MUST CHECK AND VERIFY ALL DIMENSIONS BEFORE PROCEEDING WITH WORK AND BE RESPONSIBLE FOR SAME.
- CONTRACTOR MUST REPORT ANY DISCREPANCIES TO ENGINEER FOR RESOLUTION BEFORE COMMENCING THE WORK.
- ANY CHANGES MUST BE APPROVED BY THE ENGINEER.

SITE DATA CHART

| Comprehensive Zoning By-Law No. 1816-2006 | Required | Provided |
|---|--------------------|------------------|
| Minimum Lot Area | 0.8 ha | 16.35 ha |
| Minimum Lot Frontage | 60m | 383.37m |
| Minimum Front Yard | 15 m | 134 m |
| Minimum Rear Yard | 7.5m | 50m |
| Minimum Exterior Side Yard | 15m | - |
| Minimum Interior Side Yard | 7.5m | 91m |
| Minimum Set Back (From Existing Livestock Facility) | 283m | 283m |
| Minimum Set Back (From Wetlands) | 50m | 50m |
| Minimum Set Back (From West Lot Line) | 55.6m | 91m |
| Landscaped Open Space (Min.) | 30% | 96.9% |
| Gravel Driveway and Parking Lot | 0 | 2506 m2 |
| Cabin Floor Area (Max. Per Cabin) | 22.0 m2 | 15.0 m2 |
| Number of Cabins (Maximum) | 10 | 10 |
| Lot Coverage (Maximum) | 30% | <0.5% |
| Maximum Building Height (Cabins) | 5m | 5m |
| Maximum Building Height (Existing Storage Building) | 10.5m | 8.23m |
| Distance Between Buildings (Min.) | 3.0m | 3.0m |
| Barrier Free Space | 2 | 2 |
| Parking Space Area | 16.7m ² | 18m ² |
| Barrier Free Parking Space | 24m ² | 24m ² |
| Parking Aisle Width | 6.0m | 6.0m |
| Parking Area Setback (property line, street line) | 3.0m | 104m |
| Parking Spaces | 10 | 12 |

LEGEND

- PROPOSED EARTH DITCHING
- BOUNDARY OF AGRICULTURAL LAND
- EXISTING WATER LINE
- 50m WETLAND BUFFER
- HIGH WATER MARK OFFSET
- HIGH WATER MARK
- PROPERTY LINE
- PARKING INDICATORS
- EXISTING PAGE-WIRE FENCE
- LIGHT DUTY SILT-FENCE AS PER OPSS 219.110
- PROPOSED GRAVEL DIAPHRAGM
- PROPOSED BIO SWALE
- PROPOSED GRAVEL
- PROPOSED ROCK FLOW CHECK DAM
- EXISTING GRANULAR DRIVEWAY & LOT
- AGRICULTURE ZONE
- PROPOSED ASPHALT
- 50m WETLAND BUFFER
- LAKE ZONE
- PRIMARY BUILDING ENTRANCE

STAMP

LICENSED PROFESSIONAL ENGINEER
 K. T. HAWLEY
 10049851
 18/09/25
 PROVINCE OF ONTARIO

PARKING DATA CHART

| | PHASE 1 |
|---------------------------------------|------------------------------|
| COTTAGE AREA (220m ² Max.) | 150m ² (10 UNITS) |
| 1 SPACE PER UNIT | 10 SPACES |
| REQUIRED | 10 |
| PROVIDED | 12 |
| STANDARD PARKING STALL | 3.0mx6.0m |
| ACCESSIBLE PARKING STALL | 4.0mx6.0m |

PROJECT
 5738 COUNTY ROAD 1
 LAKEVIEW COTTAGES

CONSECON, ON

AZZORYPA GP. INC.
 PRINCE EDWARD COUNTY, ON

DRAWING TITLE
 SITE PLAN

| NO. | REVISION | DATE |
|-----|----------------------------------|------------|
| 08 | RE-ISSUED FOR SPA | 18/09/25 |
| 07 | RE ISSUED FOR SITE PLAN APPROVAL | 13/08/2025 |
| 06 | ISSUED FOR SITE PLAN APPROVAL | 18/12/24 |
| 05 | RE-ISSUED FOR CLIENT REVIEW | 01/10/24 |
| 04 | ISSUED FOR CLIENT REVIEW | 07/08/24 |
| 03 | ISSUED FOR CLIENT REVIEW | 26/07/24 |

DESIGNED BY: K. HAWLEY

DRAWN BY: J. LOCKERBIE/M. LAPLANTE BRADY

REVIEWED BY: A.HICKS

APPROVED BY: K. HAWLEY

PROJECT DATE: 10/06/2024 (DD/MM/YYYY)

PROJECT # 25-5175A SCALE: HOR: 1:750
 VER: NTS

DRAWING # C1

(METRIC SCALE - ALL DIMS IN METERS UNLESS OTHERWISE SPECIFIED)

CAD OPERATOR: _____
 CAD FILE: J:\5-Chm\2025\25-5175A - Elicott Realty - 5738 County Road 1\05 Drawings\1 Original\25-5175A - 5738 CR 1 - CURRENT.dwg
 PLOT SCALE: AS NOTED
 DATE PLOTTED: DD/MM/YYYY
 GGG-41

- NOTES:
1. ALL WORK SHALL BE IN ACCORDANCE WITH RELEVANT CODES AND GUIDELINES.
 2. ALL DRAWINGS AND ADDENDA ARE TO BE READ, AND IN CONJUNCTION WITH THE SPECIFICATIONS.
 3. ALL EQUIPMENT SHALL BE INSTALLED AS SPECIFIED OR APPROVED EQUIVALENT.
 4. CONTRACTOR MUST CHECK AND VERIFY ALL DIMENSIONS BEFORE PROCEEDING WITH WORK AND BE RESPONSIBLE FOR SAME.
 5. CONTRACTOR MUST REPORT ANY DISCREPANCIES TO ENGINEER FOR RESOLUTION BEFORE COMMENCING THE WORK.
 6. ANY CHANGES MUST BE APPROVED BY THE ENGINEER.

A A DETAIL NO.
 B B DRAWING NO. - WHERE DETAILED

LEGEND

| | |
|--|---|
| | SURFACE ELEVATION LABEL |
| | SLOPE LABEL |
| | PROPOSED EARTH DITCHING |
| | BOUNDARY OF AGRICULTURAL LAND |
| | EXISTING WATER LINE |
| | 50m WETLAND BUFFER |
| | HIGH WATER MARK OFFSET |
| | HIGH WATER MARK |
| | PROPERTY LINE |
| | PARKING INDICATORS |
| | EXISTING PAGE-WIRE FENCE |
| | LIGHT DUTY SILT-FENCE AS PER OPSD 219.110 |
| | PROPOSED GRAVEL DIAPHRAGM |
| | PROPOSED BIO SWALE |
| | PROPOSED GRAVEL |
| | PROPOSED ROCK FLOW CHECK DAM |
| | EXISTING GRANULAR DRIVEWAY & LOT |
| | AGRICULTURE ZONE |
| | PROPOSED ASPHALT |
| | 50m WETLAND BUFFER |
| | LAKE ZONE |

NORTH

STAMP

PROJECT
**5738 COUNTY ROAD 1
 THE LAKEVIEW IN PEC**
 CONSECON, ON
 AZZORYPA GP. INC.
 PRINCE EDWARD COUNTY, ON

DRAWING TITLE
**GRADING AND SEDIMENT
 AND EROSION PLAN**

| REVISION | DATE |
|----------|--|
| 08 | RE-ISSUED FOR SPA 18/09/25 |
| 07 | RE-ISSUED FOR SPA 13/08/25 |
| 06 | ISSUED FOR SITE PLAN APPROVAL 18/12/24 |
| 05 | RE-ISSUED FOR CLIENT REVIEW 01/10/24 |
| 04 | ISSUED FOR CLIENT REVIEW 07/08/24 |
| 03 | ISSUED FOR CLIENT REVIEW 26/07/24 |

DESIGNED BY
K. HAWLEY

DRAWN BY
J. LOCKERBIE/M. LAPLANTE BRADY

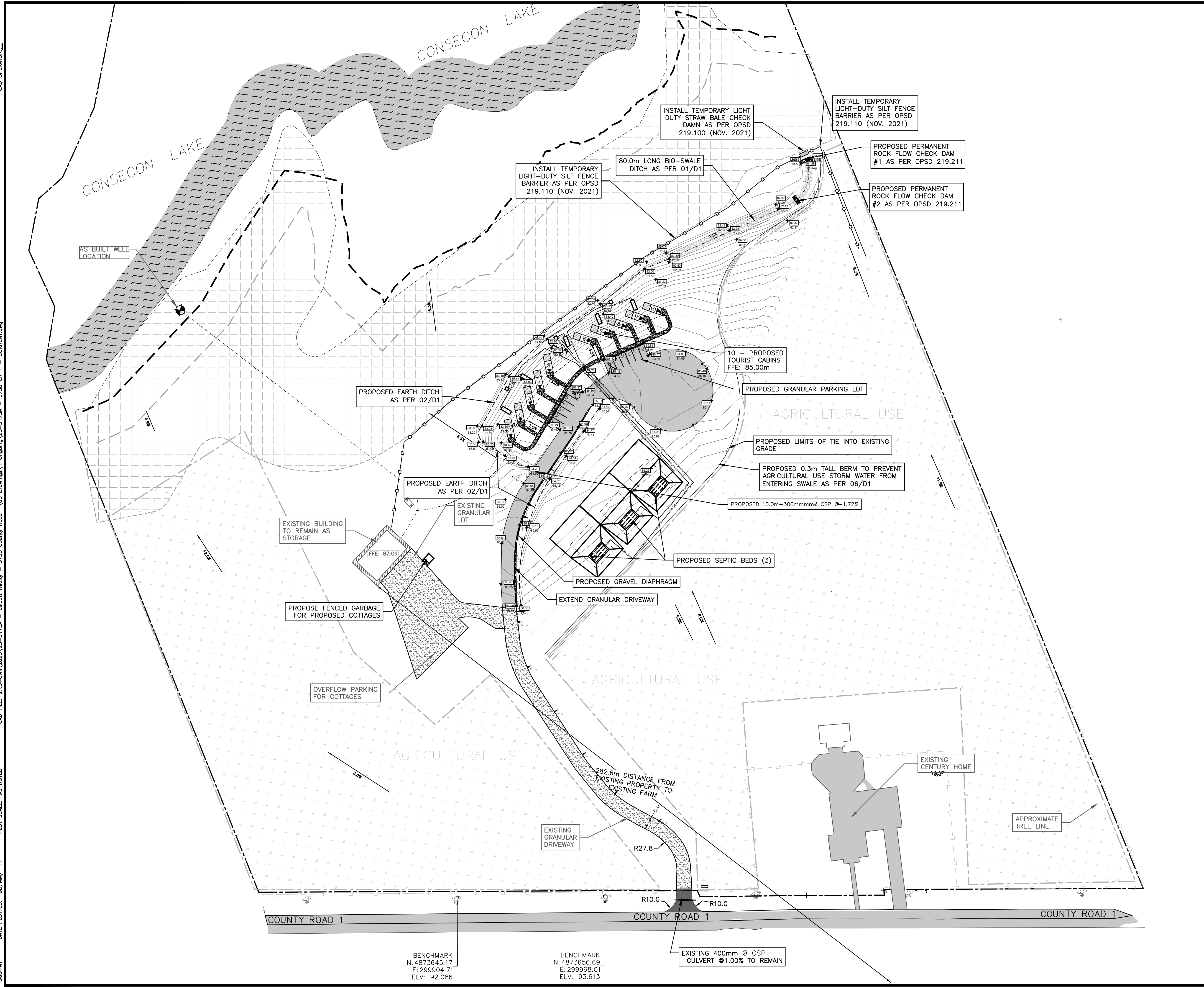
REVIEWED BY
A.HICKS

APPROVED BY
K. HAWLEY

PROJECT DATE
10/06/2024
(DD/MM/YYYY)

PROJECT #
25-5175A
 SCALE
 HOR: 1:750
 VER: NTS

DRAWING #
C1

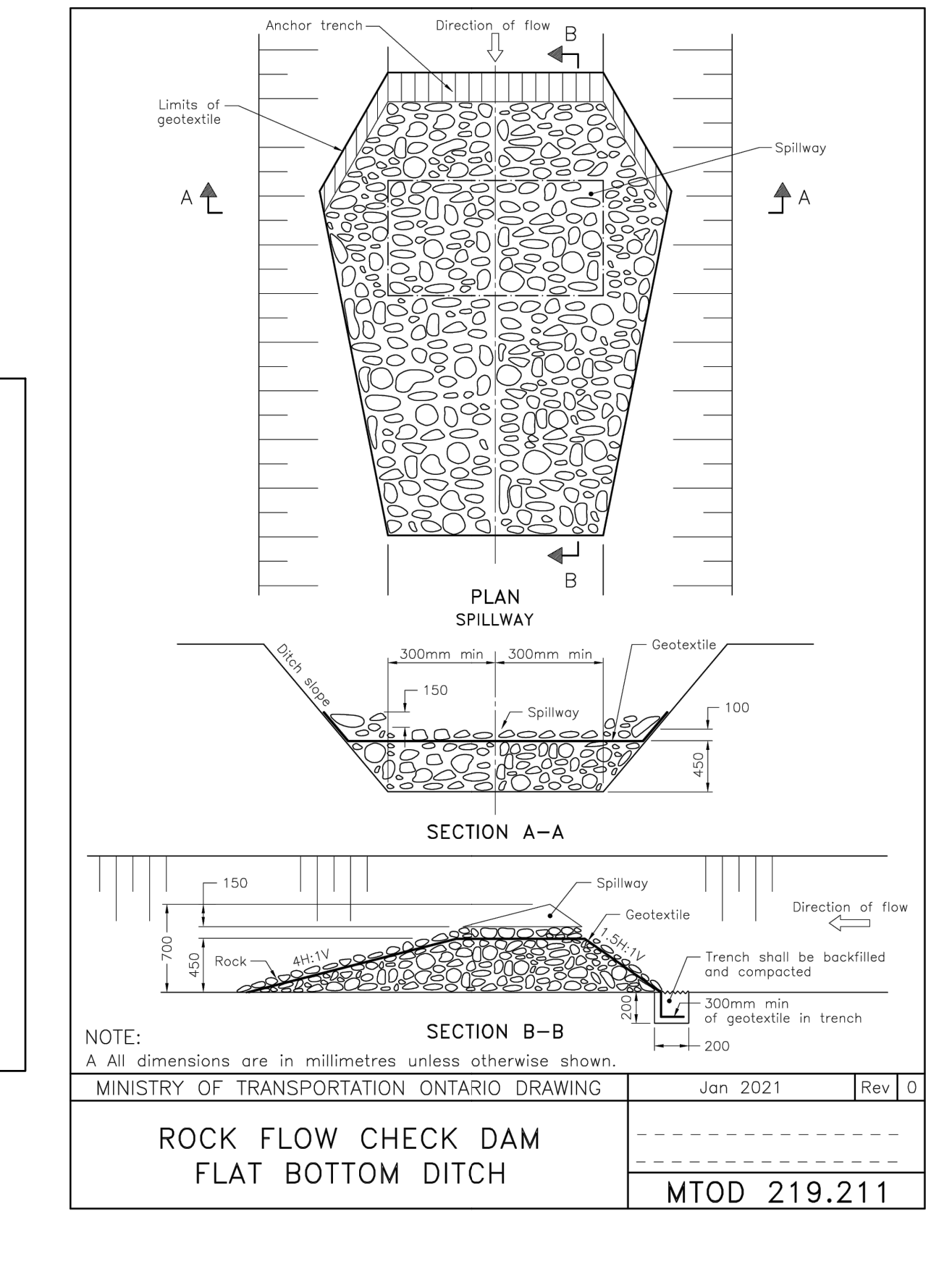
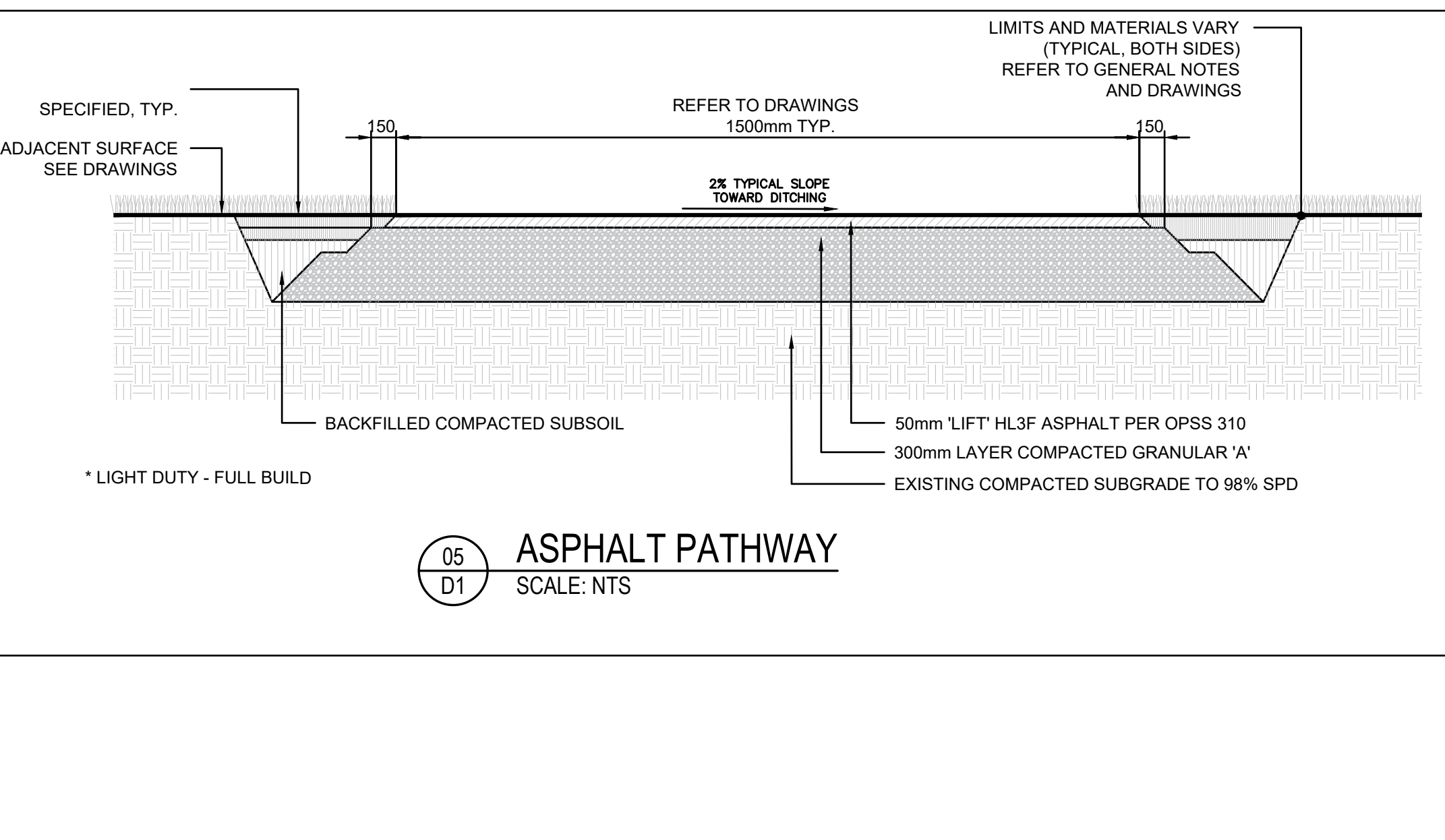
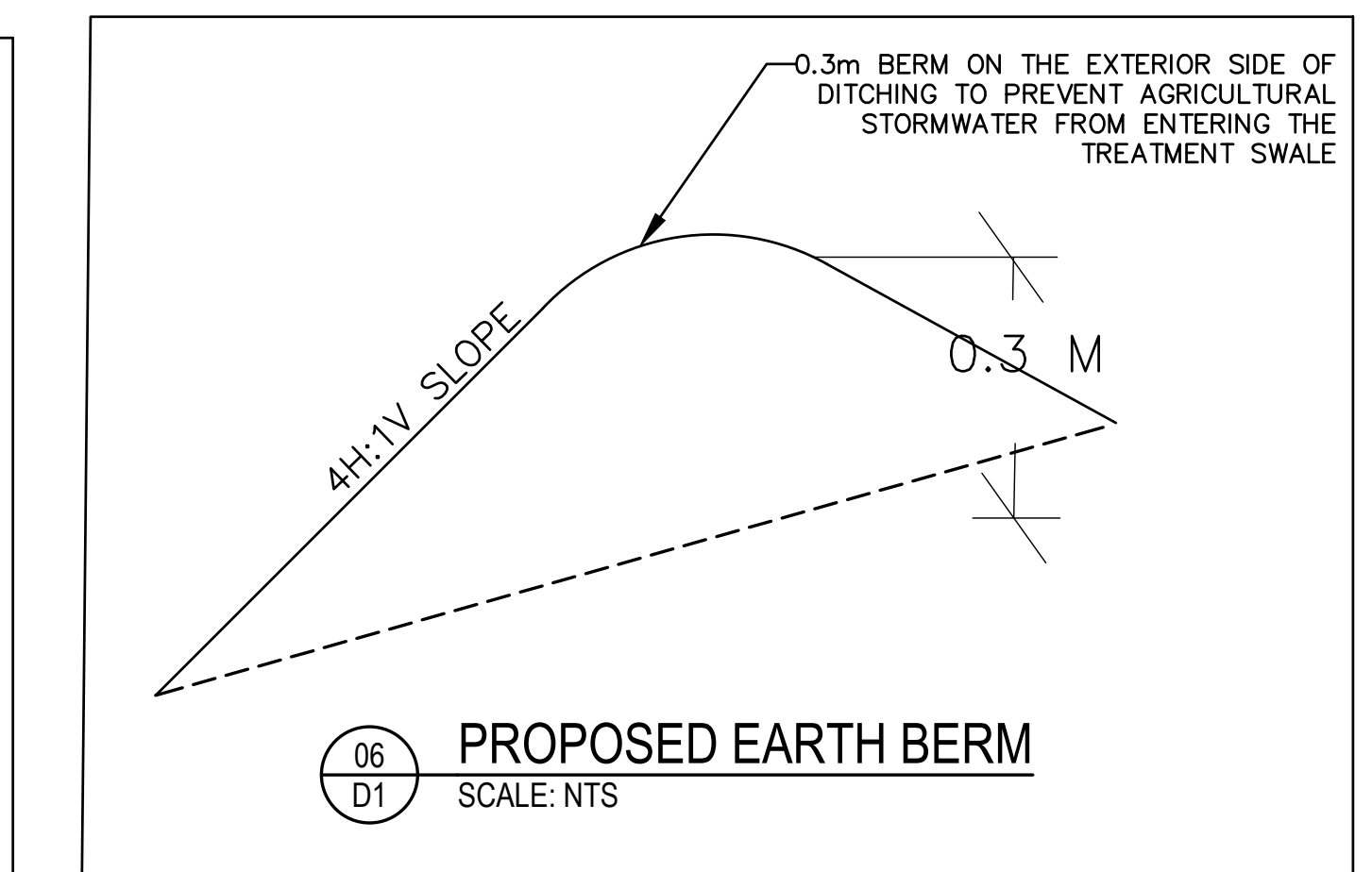
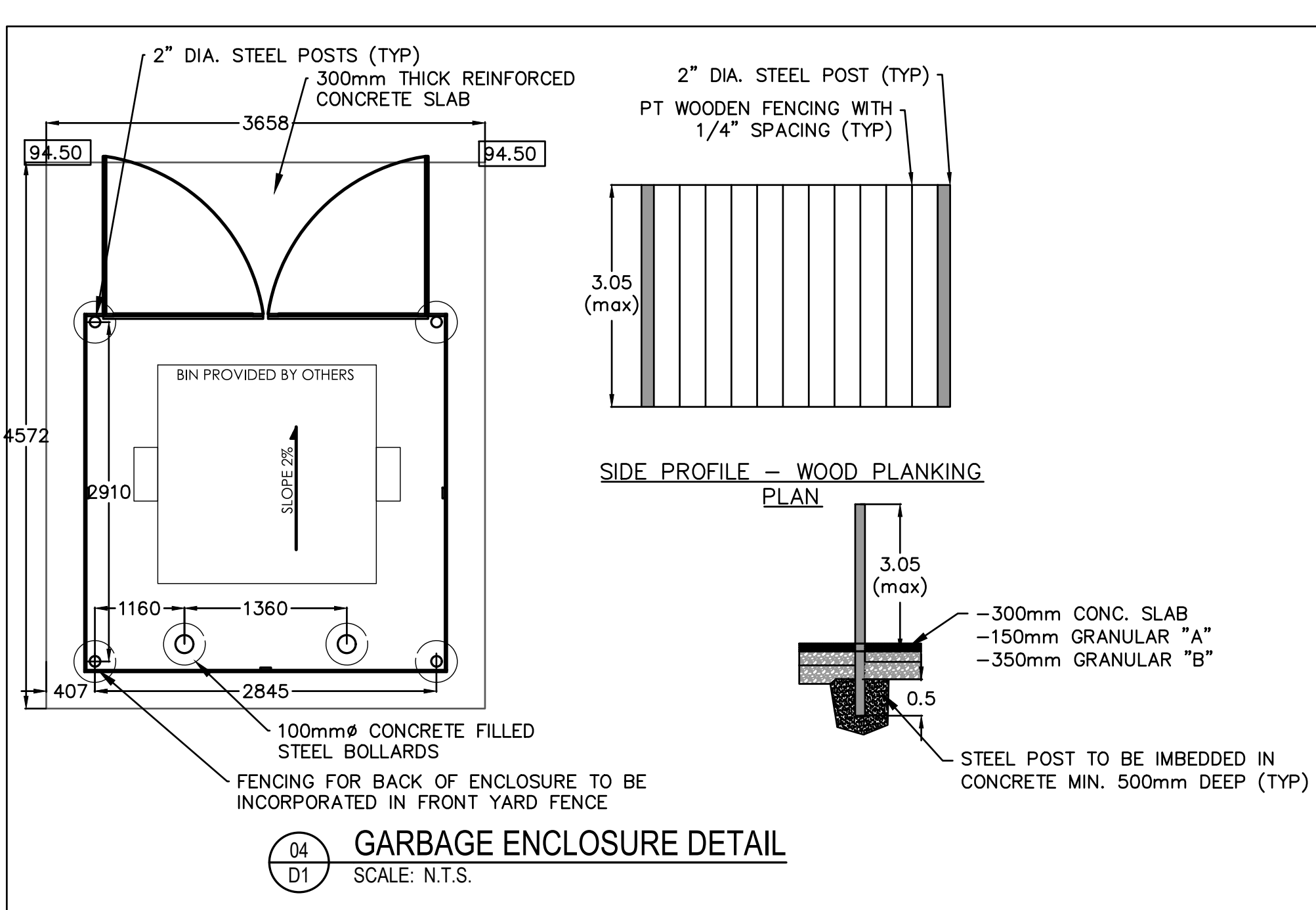
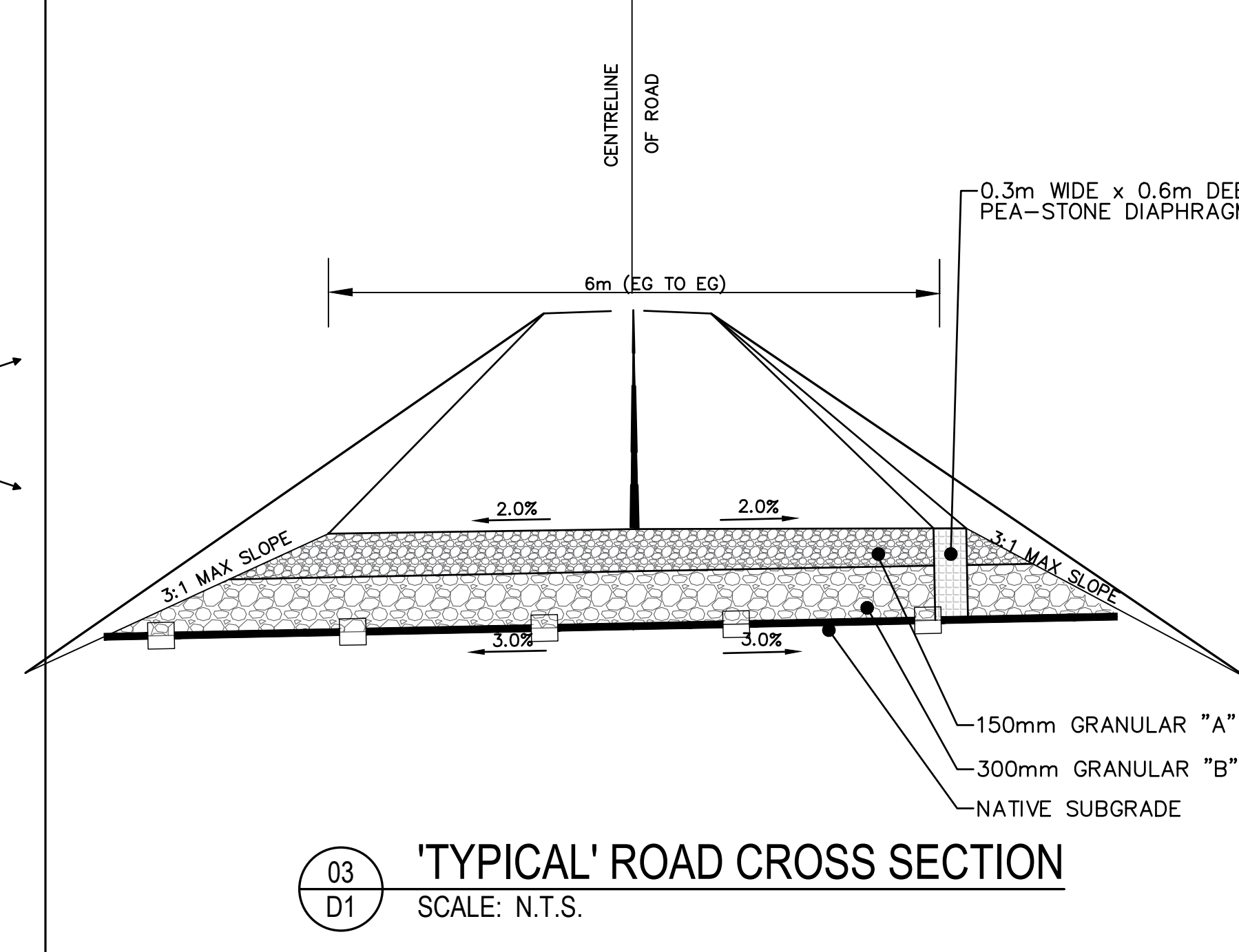
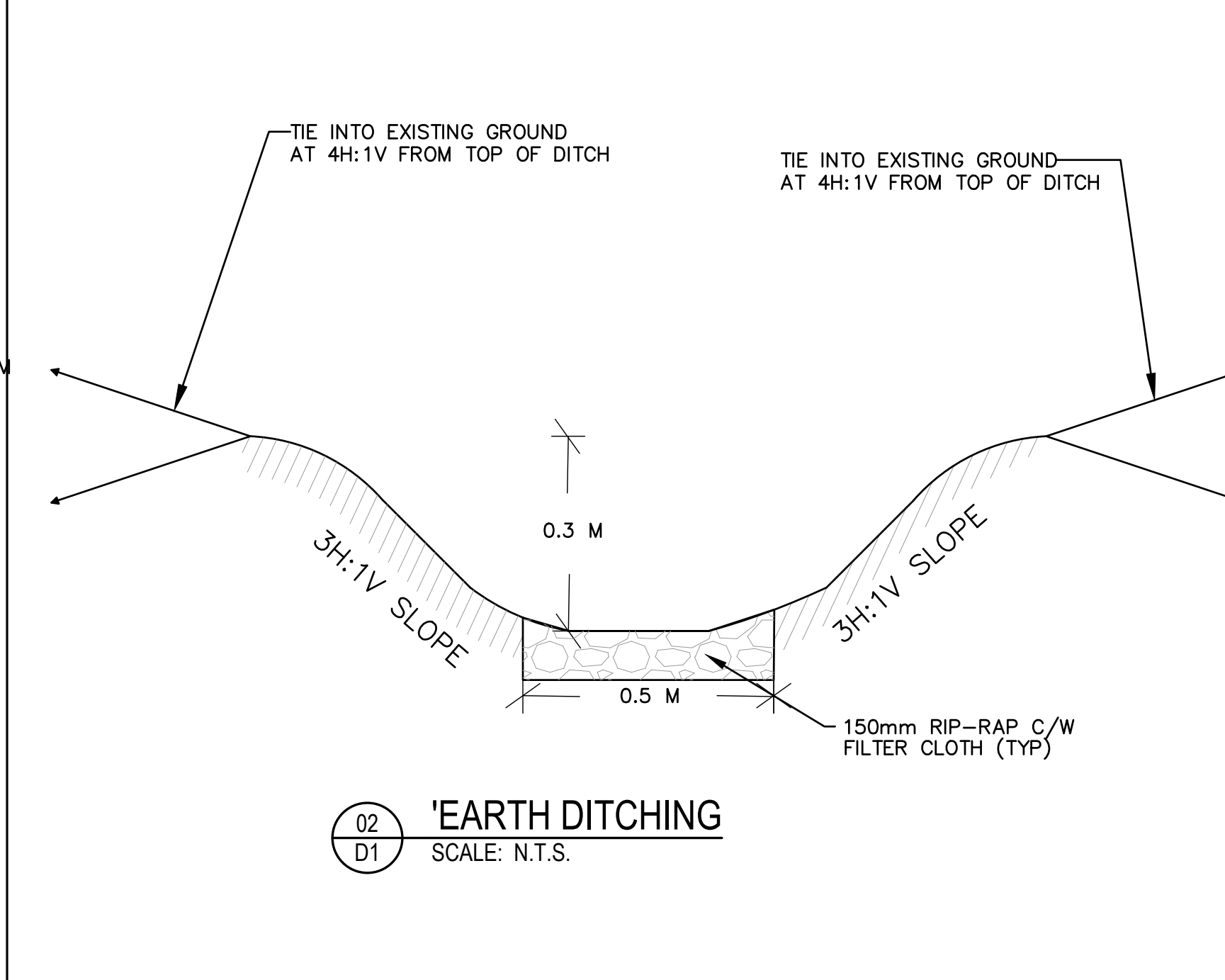
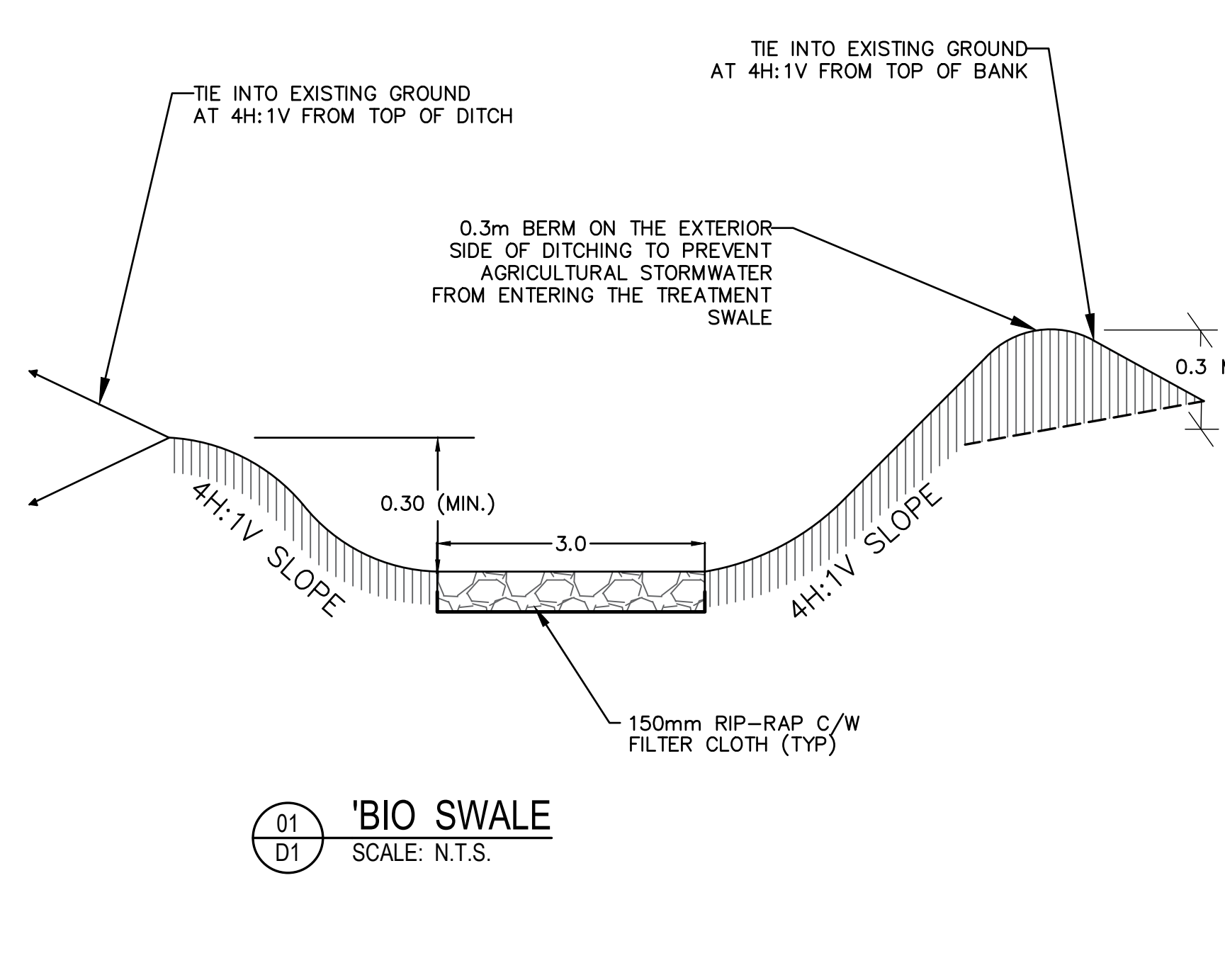


(METRIC SCALE - ALL DIMS IN METERS UNLESS OTHERWISE SPECIFIED)

- NOTES:
1. ALL WORK SHALL BE IN ACCORDANCE WITH RELEVANT CODES AND GUIDELINES.
 2. ALL DRAWINGS AND ADDENDA ARE TO BE READ AS, AND IN CONJUNCTION WITH THE SPECIFICATIONS.
 3. ALL EQUIPMENT SHALL BE INSTALLED AS SPECIFIED OR APPROVED EQUIVALENT.
 4. CONTRACTOR MUST CHECK AND VERIFY ALL DIMENSIONS BEFORE PROCEEDING WITH WORK AND BE RESPONSIBLE FOR SAME.
 5. CONTRACTOR MUST REPORT ANY DISCREPANCIES TO ENGINEER FOR RESOLUTION BEFORE COMMENCING THE WORK.
 6. ANY CHANGES MUST BE APPROVED BY THE ENGINEER.

A A DETAIL NO.
B DRAWING NO. - WHERE DETAILED

LEGEND



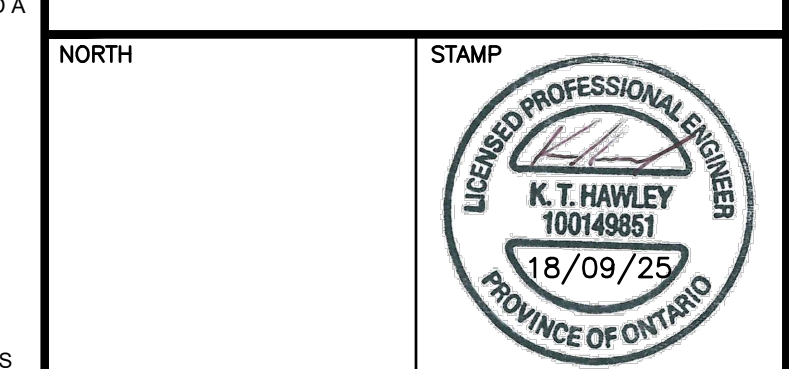
- GENERAL**
1. ALL WORK SHALL BE IN ACCORDANCE WITH CURRENT PRINCE EDWARD COUNTY, ONTARIO BUILDING CODE AND, ONTARIO PROVINCIAL STANDARD SPECIFICATIONS AND DRAWINGS UNLESS SPECIFIED OTHERWISE.
 2. PRIOR TO CONSTRUCTION, CONTRACTOR TO VERIFY ALL DIMENSIONS, SEWER INVERTS AND UTILITY LOCATES AND IDENTIFY POSSIBLE CONFLICTS.
 3. ALL ENVIRONMENTAL PROTECTION MEASURES ARE THE RESPONSIBILITY OF THE CONTRACTOR.
 4. ANY TRAFFIC SIGNS OR INFORMATION SIGNS DAMAGED DURING CONSTRUCTION ARE TO BE REPLACED AT THE CONTRACTORS COSTS. ALL TRAFFIC SIGNS ARE TO BE MAINTAINED BY THE CONTRACTOR THROUGHOUT CONSTRUCTION.
 5. ALL UTILITY POLES TO BE BRACED AS NECESSARY.
 6. THE LOCATION OF UTILITIES IS APPROXIMATE ONLY, AND THE EXACT LOCATION SHOULD BE DETERMINED BY CONSULTING THE MUNICIPAL AUTHORITIES AND UTILITY COMPANIES CONCERNED. THE CONTRACTOR SHALL PROVE THE LOCATION OF UTILITIES AND SHALL BE RESPONSIBLE FOR ADEQUATE PROTECTION FROM DAMAGE DURING CONSTRUCTION.
 7. ALL WORK SHALL BE IN ACCORDANCE WITH RELEVANT CODES AND GUIDELINES.
 8. ALL DRAWINGS AND ADDENDA ARE TO BE READ AS, AND IN CONJUNCTION WITH THE SPECIFICATIONS.
 9. ALL MATERIAL SHALL BE INSTALLED AS SPECIFIED OR APPROVED EQUIVALENT.
 10. CONTRACTOR MUST CHECK AND VERIFY ALL DIMENSIONS BEFORE PROCEEDING WITH WORK AND BE RESPONSIBLE FOR SAME.
 11. CONTRACTOR IS RESPONSIBLE TO LOCATE ALL UTILITIES PRIOR TO CONSTRUCTION.
 12. ANY CHANGES MUST BE APPROVED BY THE ENGINEER.
 13. ALL SERVICES THAT ARE TO BE REMOVED, SHALL BE REMOVED FROM THE MAIN TO PROPERTY LINE.
 14. THE CONTRACTOR IS RESPONSIBLE TO LOCATE ALL UTILITIES PRIOR TO CONSTRUCTION.
 15. EXCAVATED MATERIAL MAY BE USED TO COMPLETE TRENCH BACKFILLING, EXCEPT THAT NO BOULDERS SHALL BE ALLOWED. ALL COMPACTION OF TRENCH TO BE A MINIMUM OF 95% STANDARD PROCTOR DENSITY.
 16. SIDEWALKS ARE TO BE DEPRESSED AT ALL EXISTING ENTRANCES. MAXIMUM SLOPE OF 1:20 AS PER 60.23-ACCESSIBILITY FOR ONTARIANS WITH DISABILITIES ACT (2005).
 17. THE CONTRACTOR SHALL IDENTIFY ALL SUB-PUMPS COMING FROM RESIDENCES AND SHALL NOTIFY THE CONTRACT ADMINISTRATOR IMMEDIATELY SHOULD A SUB-PUMP BE FOUND DISCHARGING INTO THE EXISTING SANITARY SYSTEM.
 18. ALL RELEVANT OPS3 & OPS4 REFERENCED WITHIN THIS CONTRACT ARE TO BE THE CURRENT VERSION AT THE TIME OF TENDERING.

- TRAFFIC CONTROL**
1. ALL TRAFFIC CONTROL/PEDESTRIAN SIGNING AS PER OTM.
- GRADING**
1. FINISHED SURFACES SHALL BE AT A MINIMUM GRADE OF 2% UNLESS OTHERWISE NOTED.
 2. SLOPES IN LANDSCAPED AREAS SHALL NOT EXCEED 3:1.
 3. ALL EXISTING ELEVATIONS AND GRADES ARE TO BE VERIFIED BY THE CONTRACTOR PRIOR TO GRADING.
 4. UTILITIES ARE TO BE LOCATED PRIOR TO CONSTRUCTION.
 5. ALL GROUND SURFACES SHALL BE GRADED TO PREVENT PONDING AND WITHOUT LOW AREAS EXCEPT WHERE APPROVED SWALE OR CATCH BASIN OUTLETS ARE PROVIDED.
 6. THE CONTRACTOR IS RESPONSIBLE FOR REVIEWING PROPOSED GRADES WITH CONFLICTS REGARDING THE PROPOSED STRUCTURES.
 7. SUB-GRADE SHALL BE GRADED AT A MINIMUM OF 3%, UNTIL A LOWER DITCH IS ENCOUNTERED OR THE EXISTING SURFACE DRAINS AWAY FROM THE SLOPED SUB-GRADE.
 8. ALL GRANULAR 'A' SHOULDERS SHALL BE SLOPED AT 6.0% UNLESS OTHERWISE NOTED.

- SITE WORKS**
1. WHERE IN EARTH SUBGRADE GRANULAR DEPTHS TO BE 150 MM GRANULAR A AND 300MM GRANULAR B TYPE 2. PROVIDE 3% CROSSFALL ON SUBGRADE.
 2. CONCRETE CURB, AS PER OPSD 600.020.
 3. CONCRETE SHALL BE CLASS C2, 30 MPA 28 DAY STRENGTH, 15MM COARSE AGGREGATE NOMINAL MAXIMUM SIZE, 6.0% TO 8.0% AIR CONTENT.
 4. CONCRETE MATERIALS AND PRODUCTION AS PER OPSD 350, 351, 352, 353, 1001, 1302 AND 1350.
 5. BOULEVARDS AND LANDSCAPE AREAS TO BE FINISHED WITH 100MM OF TOPSOIL AND NURSERY SOD, OR TO PRE-EXISTING CONDITION.
 6. ASPHALT SHALL BE 50 MM HL3 BINDER COURSE AND 40 MM HL3 SURFACE COURSE AS PER OPSD 310 AND THE SPECIAL PROVISIONS IN THE CONTRACT DOCUMENTS. RESURFACING SHALL TAKE PLACE ALONG THE EXTENT OF PRINCETON PLACE.
 7. IN ALL AREAS WHERE A JOINT IS REQUIRED BETWEEN PROPOSED AND EXISTING ASPHALT, THE JOINT SHALL BE A 1.0m STEP JOINT IF THE DEPTH OF PROPOSED ASPHALT EXCEEDS 60mm.
 8. COMPACTION TESTING SHALL BE AS PER OPSD 501 AND AT THE DISCRETION OF THE CONTRACT ADMINISTRATOR FOR ALL GRANULAR MATERIAL INCORPORATED INTO THE WORK.
 9. ASPHALT SHALL BE AS PER OPSD 310 (NOV 2017) AND OPSD 1150 (NOV 2010). THE PGAC SHALL BE 58-28.
 10. A TOTAL OF 3 BULK ASPHALT SAMPLES SHALL BE TAKEN AS PER OPSD 310 (NOV 2017).
 11. CONTRACTOR IS RESPONSIBLE FOR THE SHORING OF ALL EXCAVATIONS IF REQUIRED TO PROTECT ADJACENT INFRASTRUCTURE.
 12. IN AREAS WHERE COMPACTION CANNOT BE ACHIEVED, THE CONTRACTOR SHALL USE NON-SHRINK FILL AS THE BACKFILL MATERIAL AS PER OPSD 1359 (NOV 2016).
 13. PRIVATE WATER SERVICES SHALL COMPLY WITH OBC 7.1.2.5. MOE PIBS 6881e, DESIGN GUIDELINES FOR DRINKING WATER SYSTEMS.

- SEDIMENT AND EROSION CONTROL NOTE**
1. ALL EROSION AND SEDIMENT CONTROLS SHALL BE INSTALLED PRIOR TO CONSTRUCTION AND MONITORED AND MAINTAINED BY THE CONTRACTOR THROUGHOUT THE CONSTRUCTION PROCESS, UNTIL ALL DISTURBED AREAS HAVE BEEN RE-VEGETATED THEN THE TEMPORARY SEDIMENT AND EROSION CONTROL MEASURES MUST BE REMOVED ONCE THE SITE HAS BEEN STABILIZED/COMPLETED OF SITE WORKS.
 2. ALL EROSION AND SEDIMENT CONTROL MEASURES SHALL BE INSPECTED AFTER EACH RAINFALL TO THE SATISFACTION OF THE CONSTRUCTION AUTHORITY.
 3. ANY DISTURBED AREAS NOT SCHEDULED FOR FURTHER CONSTRUCTION WITHIN FORTY-FIVE (45) DAYS WILL BE PROVIDED WITH A SUITABLE TEMPORARY MULCH AND SEED COVER WITHIN SEVEN (7) DAYS OF COMPLETION.
 4. REGARDLESS OF SITE SPECIFIC ITEMS DETAILED ON THE PLANS, THE CONTRACTOR SHALL INSTALL EROSION CONTROL MEASURES TO SUIT THE PROPOSED WORK METHODS TO CONTROL SEDIMENT FROM RUNNING OFF THE SITE PRIOR TO ANY DISTURBANCE.
 5. FOLLOWING CONSTRUCTION, DISTURBED AREAS, AS WELL AS PROPOSED GRASSED AND VEGETATED SURFACES, SHALL BE REINSTATED AS SOON AS PRACTICAL. SUCH DISTURBED AREAS SHALL BE REINSTATED WITH TOPSOIL AND SOD AS PER OPSD 802 (NOV 2010) & OPSD 803 (NOV 2015).
 6. ALL ROADS USED TO ACCESS THE SITE SHALL BE KEPT CLEAN TO THE SATISFACTION OF THE DIRECTOR OF PUBLIC WORKS.

- ENVIRONMENTAL**
1. WHILE UNDERTAKING CLEARING, DEMOLITION, EXCAVATION OR CONSTRUCTION THE OWNER AND THE CONTRACTOR SHALL BE VIGILANT FOR THE POTENTIAL PRESENCE OF UNDERGROUND FUEL TANKS, CONTAMINATED SOIL OR GROUNDWATER, BURIED WASTES OR ABANDONED WATER WELLS.
 2. IF ANY OF THE ABOVE ARE ENCOUNTERED OR SUSPECTED, THE OWNER SHALL ENSURE THAT ANY WASTES GENERATED BY SITE CLEAN-UPS ARE MANAGED IN ACCORDANCE WITH APPLICABLE LAWS AND STANDARDS.
 3. CONSTRUCTION WASTES ARE NOT TO BE BURIED WITHIN THE PROPERTY THAT IS THE SUBJECT OF THIS AGREEMENT AND THAT THE OWNER AND THEIR CONTRACTORS REPORT ALL SPILLS TO THE MINISTRY OF THE ENVIRONMENT'S SPILLS ACTION CENTRE (1-800-268-6960) AND TO THE MUNICIPALITY (613 386-7351) FORTHWITH.
 4. ALL SANITARY SEWER MAIN AND LATERALS ARE ASSUMED TO BE ASBESTOS CONDUIT. THE CONTRACTOR SHALL TAKE ALL NECESSARY PRECAUTIONS TO ENSURE THAT CONTAMINATES ARE CONTAINED AND THE REQUIREMENTS OF THE SPECIAL PROVISION FOR ASBESTOS MANAGEMENT ARE MET. ALL COSTS ASSOCIATED WITH MANAGEMENT OF SAID CONTAMINANTS ARE THE RESPONSIBILITY OF THE CONTRACTOR.



PROJECT
5738 COUNTY ROAD 1
LAKEVIEW COTTAGES

CONSECON, ON

LAND & BOG
CONSECON, ON

DRAWING TITLE

DETAILS

| NO. | DESCRIPTION | DATE |
|-----|-------------------------------|----------|
| 08 | RE-ISSUED FOR SPA | 18/09/25 |
| 07 | RE-ISSUED FOR SPA | 13/08/25 |
| 06 | | |
| 05 | RE-ISSUED FOR SPA | 11/07/25 |
| 04 | ISSUED FOR SITE PLAN APPROVAL | 18/12/24 |
| 03 | RE-ISSUED FOR CLIENT REVIEW | 01/10/24 |

DESIGNED BY
S. HIGH

DRAWN BY
S. HIGH/M. LAPLANTE BRADY

REVIEWED BY
A. HICKS

APPROVED BY
K. HAWLEY

PROJECT DATE
10/06/2024
(DD/MM/YYYY)

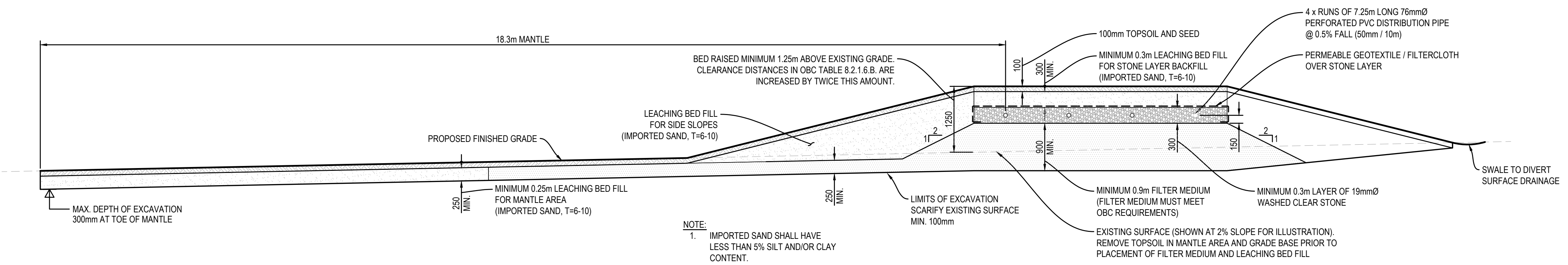
PROJECT #
25-5175A

SCALE
HOR: 1:750
VER: N.T.S.

DRAWING #
D1

CAD OPERATOR: DD/MM/YYYY
CAD FILE: U:\5-civil\2025\25-5175A - Elicott Realty - 5738 County Road 1\05 Drawings\1_Originals\25-5175A - 5738 CR 1 - CURRENT.dwg
CAD SCALE: AS NOTED
DATE PLOTTED: DD/MM/YYYY
GGC-A1

CAD OPERATOR: Allen.Hicks
 CAD FILE: J:\5-Civil\2025\5175A - Ellicott Realty - 5738 County Road 1\05 Drawings\1 Original\25-5175A - 5738 CR 1 - CURRENT.dwg
 PLOT SCALE: AS NOTED
 DATE PLOTTED: DD/MM/YYYY
 GGG-A1

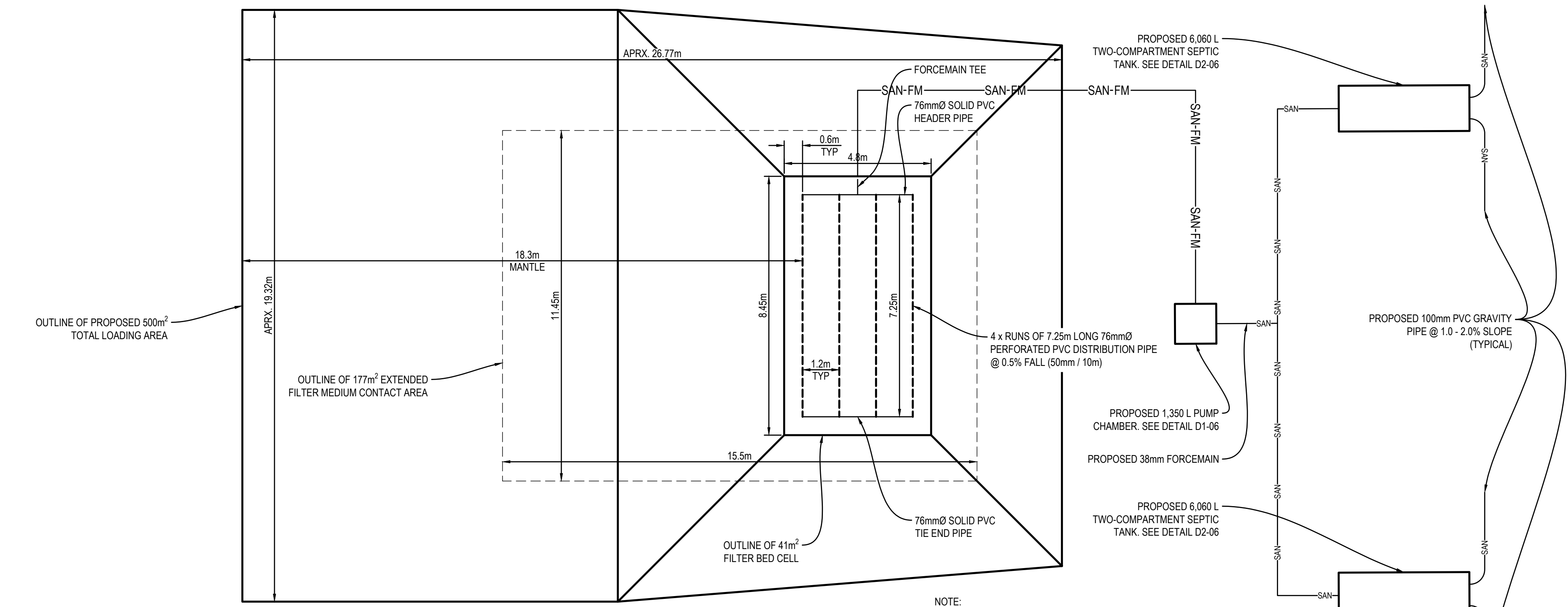


04
D2
DISTRIBUTION BED - SECTION
 1:50

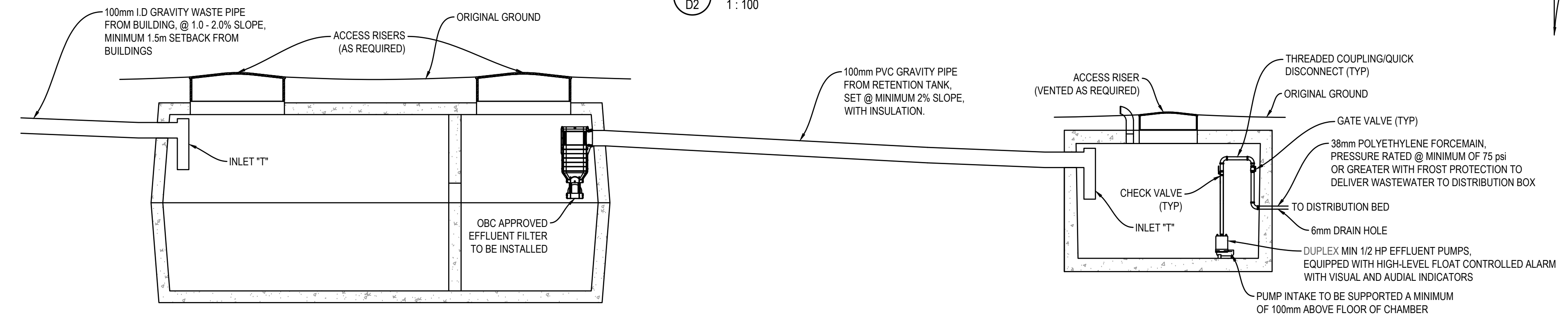
- NOTES:
- ALL WORK SHALL BE IN ACCORDANCE WITH RELEVANT CODES AND GUIDELINES.
 - ALL DRAWINGS AND ADDENDA ARE TO BE READ AS, AND IN CONJUNCTION WITH THE SPECIFICATIONS.
 - ALL EQUIPMENT SHALL BE INSTALLED AS SPECIFIED OR APPROVED EQUIVALENT.
 - CONTRACTOR MUST CHECK AND VERIFY ALL DIMENSIONS BEFORE PROCEEDING WITH WORK AND BE RESPONSIBLE FOR SAME.
 - CONTRACTOR MUST REPORT ANY DISCREPANCIES TO ENGINEER FOR RESOLUTION BEFORE COMMENCING THE WORK.
 - ANY CHANGES MUST BE APPROVED BY THE ENGINEER.

- GENERAL NOTES
- CONTRACTOR RESPONSIBLE FOR ALL BUILDING PERMIT(S).
 - ALL PLASTIC PIPING SHALL HAVE CSA CERTIFICATION TO CAN/CSA-B137.6 (PRESSURE RATED PVC OR HDPE).
 - STONE AS PER OBC 8.7.3.3. DISTRIBUTION PIPE:
 - THE LAYER OF STONE REQUIRED SHALL BE COMPRISED OF WASHED SEPTIC STONE, FREE OF FINE MATERIALS, WITH GRADATION CONFORMING TO TABLE 8.7.3.3.A.
 - BE NOT LESS THAN 300mm IN WIDTH.
 - EXTEND NOT LESS THAN 150mm BELOW THE DISTRIBUTION PIPE, AND
 - EXTEND NOT LESS THAN 50mm ABOVE THE DISTRIBUTION PIPE.
 - THE TOP SOIL AND GRASS COVER FORM AN INTEGRAL PART OF THIS SEPTIC SYSTEM AND MUST BE ESTABLISHED IMMEDIATELY FOLLOWING CONSTRUCTION AND MAINTAINED.
 - NO TRAFFIC INCLUDING SNOWMOBILES, ATVs OR STRUCTURES ON MANTLE AREA.
 - SOIL NOT TO BE WORKED WHEN WET.
 - ALL PIPING IS TO HAVE 6-12 GAUGE TRACER WIRE FIXED TO PIPING.

- ELECTRICAL NOTES:
- ALL ELECTRICAL INSTALLATIONS SHALL BE PERFORMED IN ACCORDANCE WITH THE ONTARIO ELECTRICAL SAFETY CODE.
 - ELECTRICAL SERVICING FROM MAIN BUILDING.
 - PUMPS SHALL BE POWERED AND CONTROLLED BY OUTDOOR-RATED CONTROL CABINET.
 - TANK SHALL CONTAIN FLOAT SWITCHES TO INDICATE:
 - HIGH LEVEL
 - LOW LEVEL
 - HIGH LEVEL FAILURE CONDITION
 - LOW LEVEL FAILURE CONDITION
 - PUMPS SHALL BE COMMANDED ON ACCORDING TO "HIGH LEVEL" FLOAT, AND COMMANDED OFF ACCORDING TO "LOW LEVEL" FLOAT.
 - CONTROL CABINET SHALL PROVIDE THE FOLLOWING VISUAL AND AUDIAL TROUBLE INDICATIONS:
 - ONE INDICATOR PER PUMP INDICATING ABNORMALITY HIGH OR ABNORMALITY LOW ELECTRICAL SUPPLY CURRENT.
 - ONE INDICATOR WHICH LATCHES "ON" UPON ABNORMAL SIGNAL FROM ANY PUMP, INDICATOR SHALL REMAIN "ON" UNTIL MANUALLY RESET.
 - ONE INDICATOR FOR HIGH LEVEL FAILURE CONDITION.
 - ONE INDICATOR FOR LOW LEVEL FAILURE CONDITION.



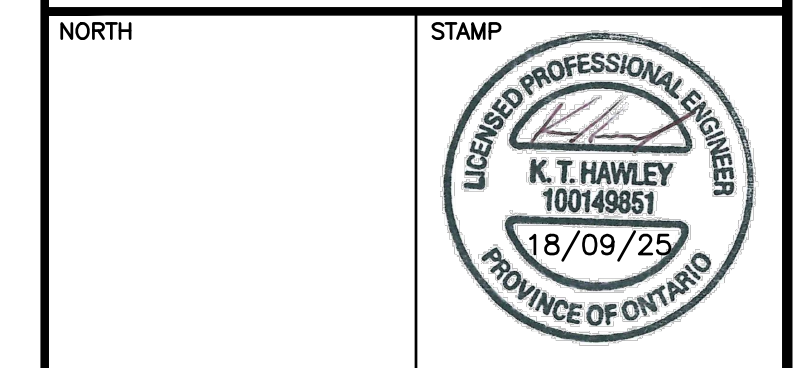
05
D2
DISTRIBUTION BED - PLAN
 1:100



06
D2
RETENTION TANK AND PUMP CHAMBER DETAIL
 N.T.S.

- TANK CONSTRUCTION / INSTALLATION NOTES:
- TANK SUPPLIER IS TO BE CONSULTED WHEN LOCATION OF TANK IS SUBJECT TO VEHICULAR TRAFFIC OR EXCESSIVE EARTH PRESSURE. SUCH CASES MAY NECESSITATE ADDITIONAL REINFORCEMENT OF THE TANK(S) TO AVOID STRUCTURE FAILURE.
 - MAXIMUM DEPTH OF BURIAL OF TANK 600mm TO TOP OF LID UNLESS PRIOR APPROVAL FROM TANK MANUFACTURER RECEIVED.
 - ACCESS RISERS AND LIDS TO BE INSTALLED WHERE REQUIRED.
 - INSTALLATION SITE MUST BE ACCESSIBLE TO LARGE HEAVY CRANE EQUIPMENT:
 - THIS AREA MUST BE FREE OF OVERHEAD WIRES, TREE LIMBS, OR OTHER ABOVE GRADE OBSTRUCTIONS WHICH COULD AFFECT NORMAL CRANE OPERATIONS.
 - A FIRM FLAT LEVEL AREA OF SUFFICIENT SIZE TO ALLOW MANEUVERING ROOM FOR THIS TYPE OF EQUIPMENT MUST BE PROVIDED.

- EXCAVATION WIDTH AND LENGTH SHOULD ALLOW FOR SAFE CLEARANCE ON ALL SIDES OF THE TANK:
 - SOIL CONDITIONS MUST BE FIRM AND STABLE.
 - TO MINIMIZE STRESS ON THE TANK OR CHAMBER, IT SHOULD BE PLACED ON A BASE OF GRAVEL OR CRUSHED STONE, MINIMUM 150mm THICK.
- WHEN BACKFILLING:
 - BACKFILL MATERIAL SHALL BE FREE OF BOULDERS OR LARGE STONES.
 - THE WHEELS AND TRACKS OF BACKFILLING EQUIPMENT SHALL BE KEPT AT LEAST 1m AWAY FROM THE TANK OR CHAMBER.
 - AT NO TIME SHALL HEAVY EQUIPMENT COME IN CONTACT WITH ANY PART OF THE TANK OR CHAMBER.
 - DO NOT DROP BACKFILL ON THE TANK OR CHAMBER, OR INTO THE EXCAVATION FROM A HEIGHT GREATER THAN 1m.
 - BACKFILL MUST BE PLACED IN LAYERS PROGRESSIVELY AGAINST THE FOUR SIDE WALLS OF THE TANK OR CHAMBER STRUCTURE.
- TANKS ARE TO BE SEALED WITH BUTYL TAPE AT THE JOINTS.
- TANKS ARE TO BE PROPERLY ANCHORED IN ORDER TO AVOID LIFT DUE TO HYDROSTATIC PRESSURE.



PROJECT
5738 COUNTY ROAD 1
LAKEVIEW COTTAGES

CONSECON, ON
 LAND & BOG
 CONSECON, ON

DRAWING TITLE
PROPOSED
SEPTIC DETAILS

| REVISION | DATE |
|----------|--|
| 08 | RE-ISSUED FOR SPA 18/09/25 |
| 07 | |
| 06 | |
| 05 | RE-ISSUED FOR SPA 13/08/25 |
| 04 | RE-ISSUED FOR SPA 11/07/25 |
| 03 | ISSUED FOR SITE PLAN APPROVAL 18/12/24 |

DESIGNED BY
S. HIGH

DRAWN BY
S. HIGH/M. LAPLANTE BRADY

REVIEWED BY
A. HICKS

APPROVED BY
K. HAWLEY

PROJECT DATE
10/06/2024

PROJECT #
25-5175A

SCALE
HOR: 1:750
VER: NTS

DRAWING #
D2